

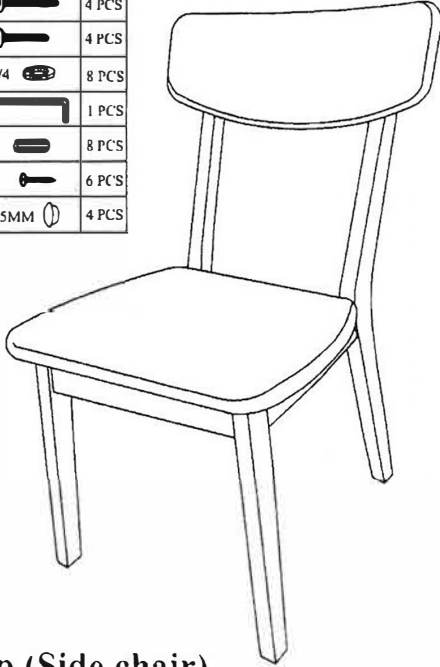
ASSEMBLY INSTRUCTIONS

MODEL : DINING CHAIR

IMPORTANT NOTE :

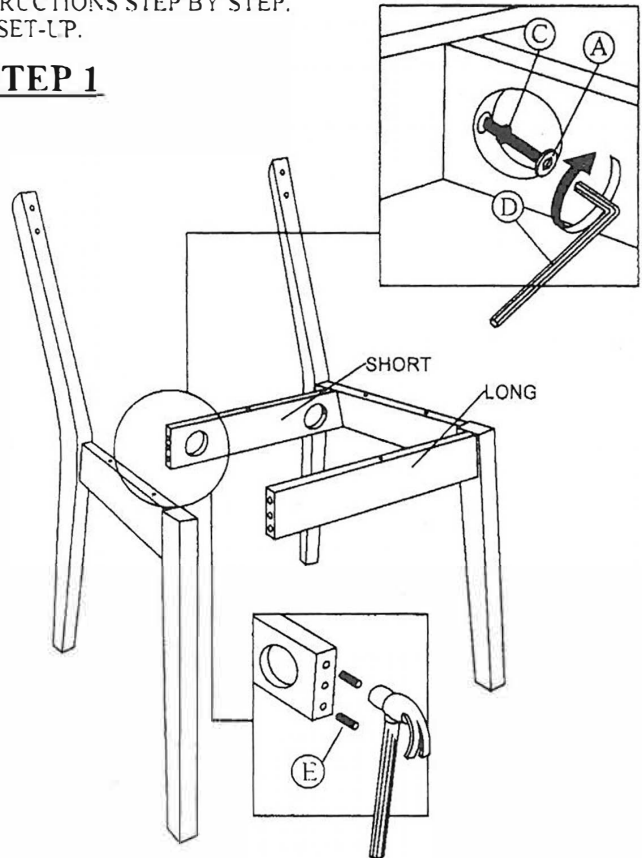
- * PLACE ALL WOODEN PARTS ON A CLEAN AND SMOOTH SURFACE SUCH AS A RUG OR CARPET TO AVOID THE PARTS FROM BEING SCRATCHED.
- * BEFORE YOU BEGIN, KINDLY FOLLOW THE ASSEMBLY INSTRUCTIONS STEP BY STEP.
- * DO NOT TIGHTEN ALL SCREWS UNTIL THE CHAIR IS FULLY SET-UP.
- * TIGHTEN NUT OR NUT BOLT ON EVEN SURFACE.

HARDWARE LIST		
NO	DESCRIPTION	QTY
A	M6 X 40MM JCBC BOLT	4 PCS
B	M6 X 25MM JCBC BOLT	4 PCS
C	SPRING WASHER 1/4	8 PCS
D	ALLEN KEY	1 PCS
F	8 X 30MM WOOD DOWEL	8 PCS
F	M4 X 50MM C.S.K SCREW	6 PCS
G	WOOD BUTTON 14.5MM	4 PCS

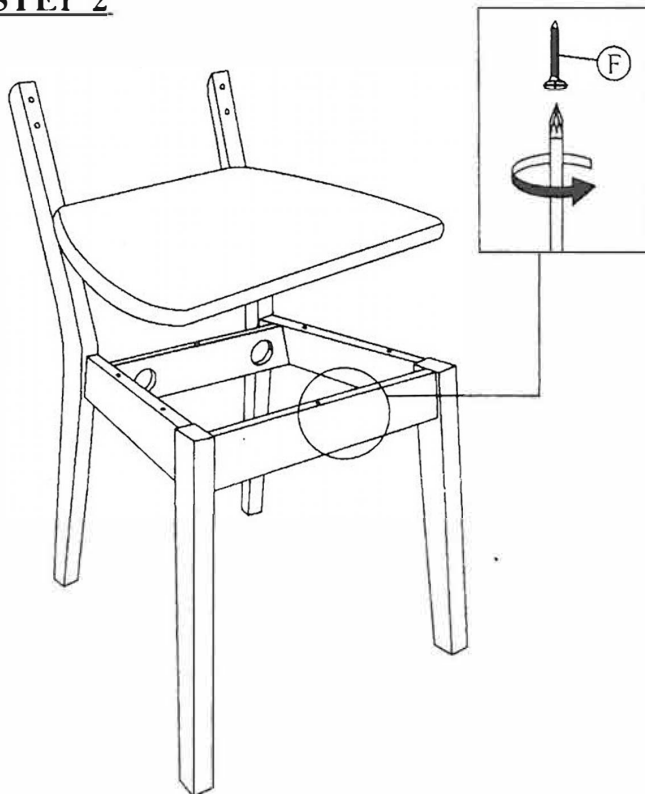


Fully Set-up (Side chair)

STEP 1



STEP 2



STEP 3

