

ASSEMBLY INSTRUCTIONS

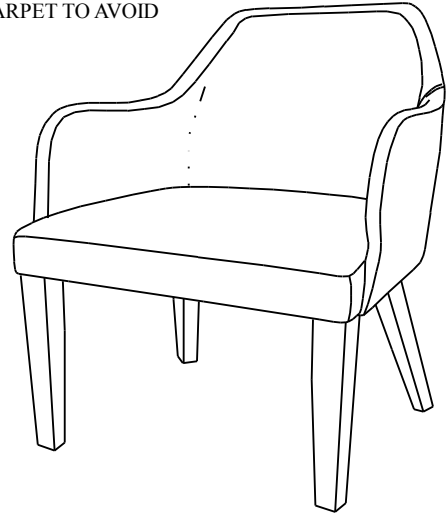
MODEL : EDWARD DINING CHAIR

IMPORTANT NOTE :

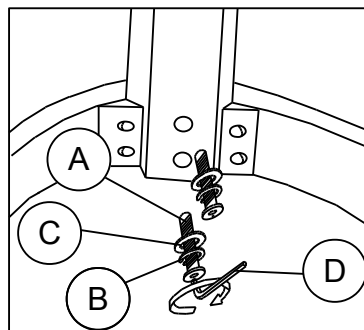
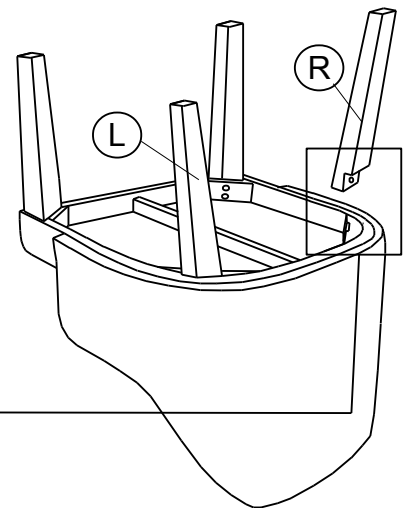
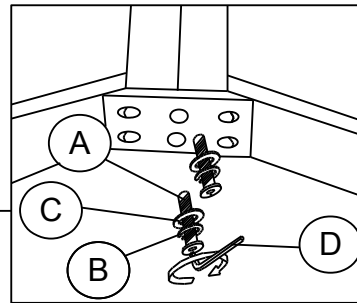
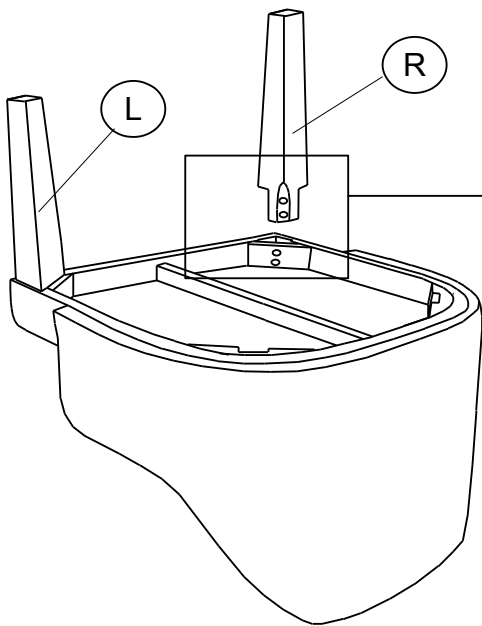
- * PLACE ALL WOODEN PARTS ON A CLEAN AND SMOOTH SURFACE SUCH AS A RUG OR CARPET TO AVOID THE PARTS FROM BEING SCRATCHED.
- * BEFORE YOU BEGIN, KINDLY FOLLOW THE ASSEMBLY INSTRUCTIONS STEP BY STEP.
- * DO NOT TIGHTEN ALL SCREWS UNTIL THE CHAIR IS FULLY SET-UP.
- * TIGHTEN NUT OR NUT BOLT ON EVEN SURFACE.

HARDWARE LIST

NO	DESCRIPTION	QTY
A	M6 X 50MM JCBC BOLT 	8 PCS
B	SPRING WASHER ¼ 	8 PCS
C	FLAT WASHER ¼ 	8 PCS
D	ALLEN KEY M4 	1 PC



STEP 1



STEP 2