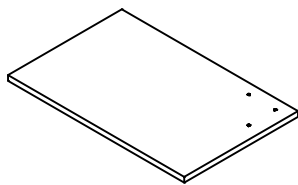
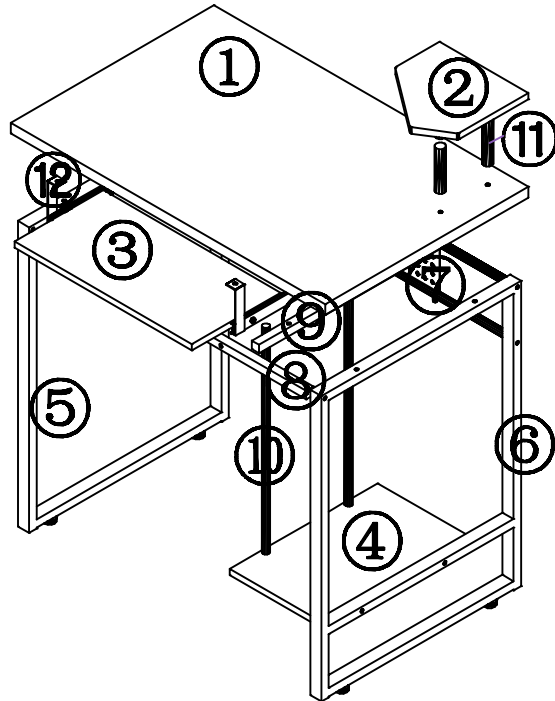


# ASSEMBLY INSTRUCTION

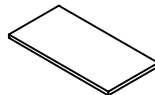
## AF-CD22303



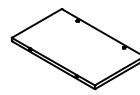
①(\*1)



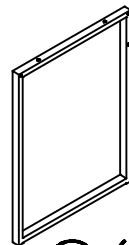
②(\*1)



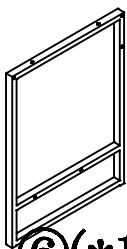
③(\*1)



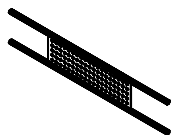
④(\*1)



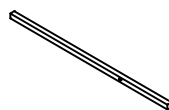
⑤(\*1)



⑥(\*1)



⑦(\*1)



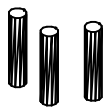
⑧(\*1)



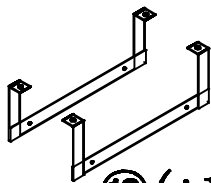
⑨(\*1)



⑩(\*1)



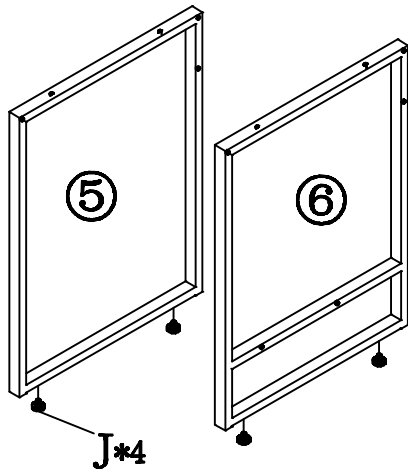
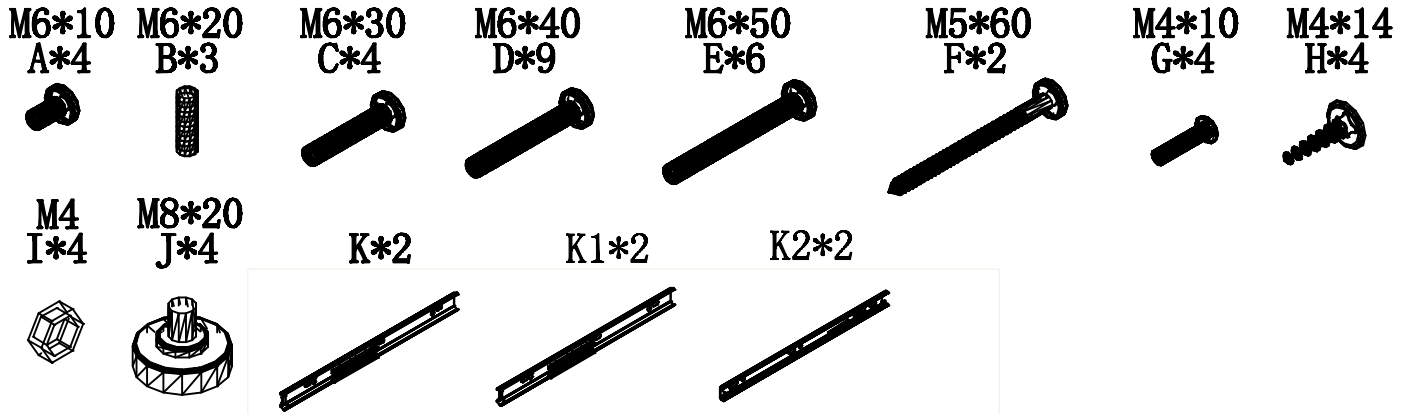
⑪(\*1)



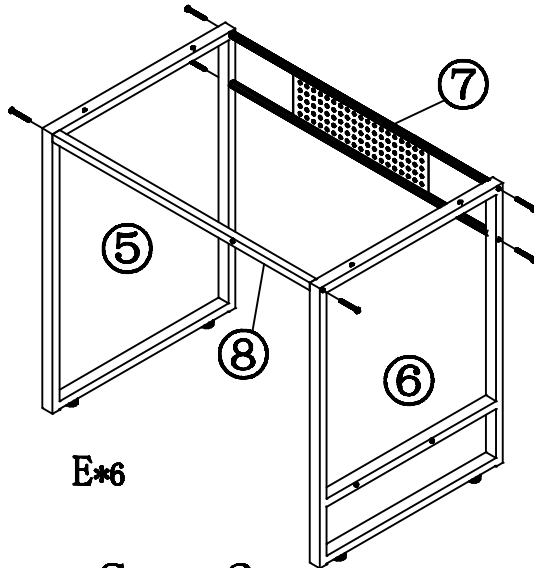
⑫(\*1)

# ASSEMBLY INSTRUCTION

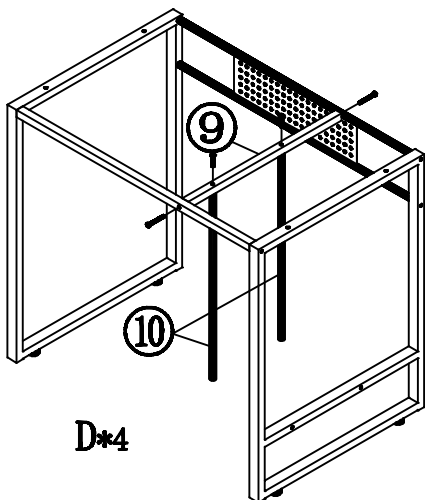
## AF-CD22303



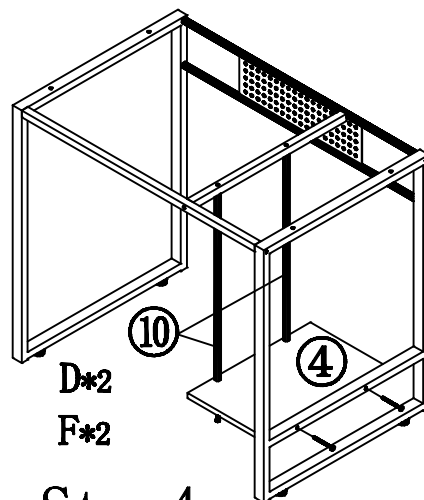
Step1



Step2



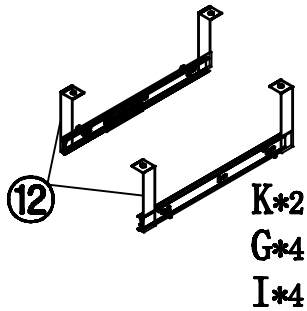
Step3



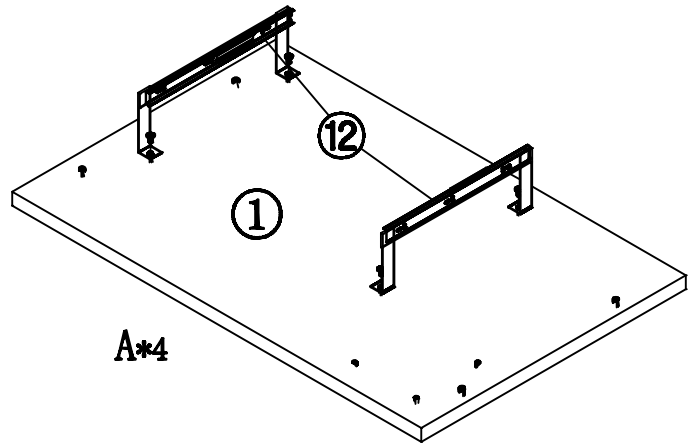
Step4

# ASSEMBLY INSTRUCTION

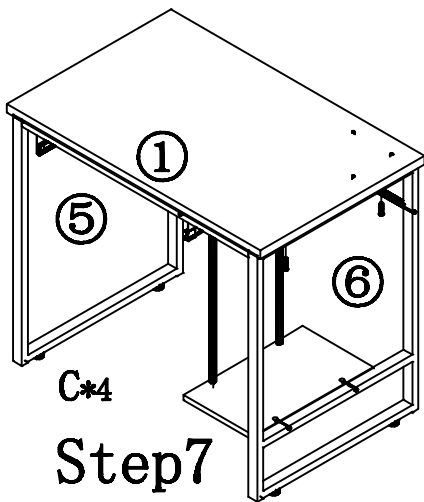
## AF-CD22303



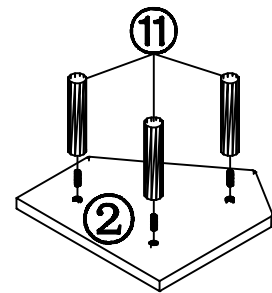
Step5



Step6

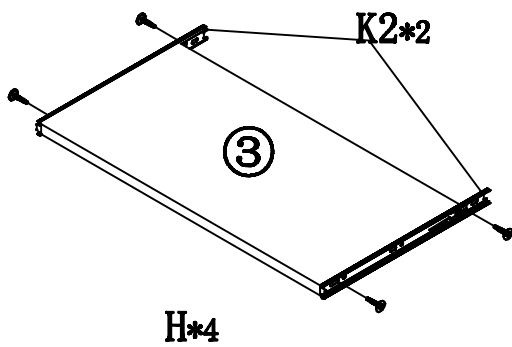


Step7

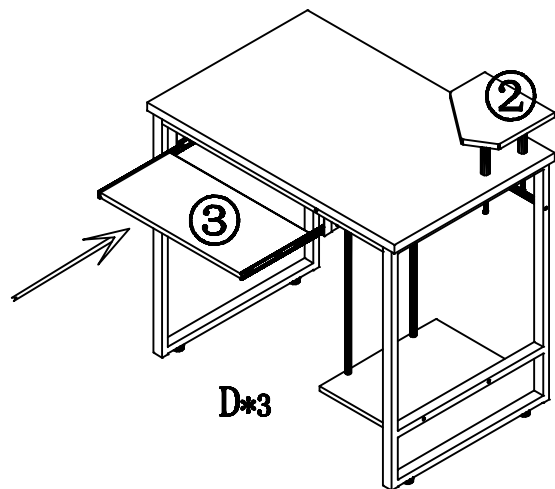


B\*3

Step8



Step9



Step10