
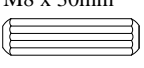


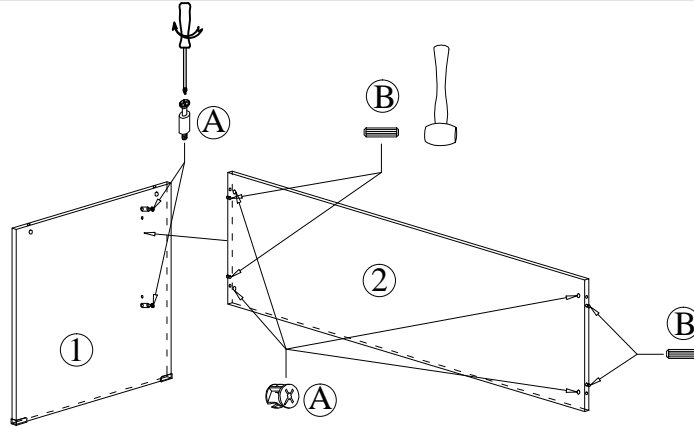


# ASSEMBLY INSTRUCTION

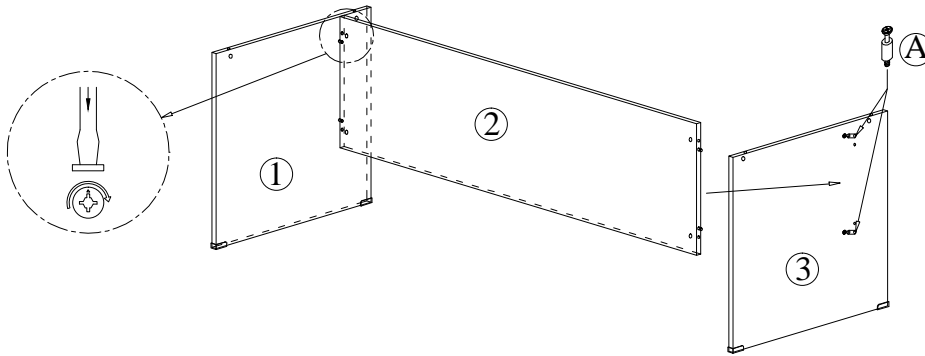
MODEL: EXT 127

| PART |   | QTY       | PART |  | QTY  | <i>Tools Required</i>   |        |
|------|---|-----------|------|--|------|---|--------|
| A    |  | 8<br>SETs | B    | WOOD DOWEL<br>M8 x 30mm<br> | 4pcs |  | HAMMER |
|      |  |           |      |  |      |   |        |

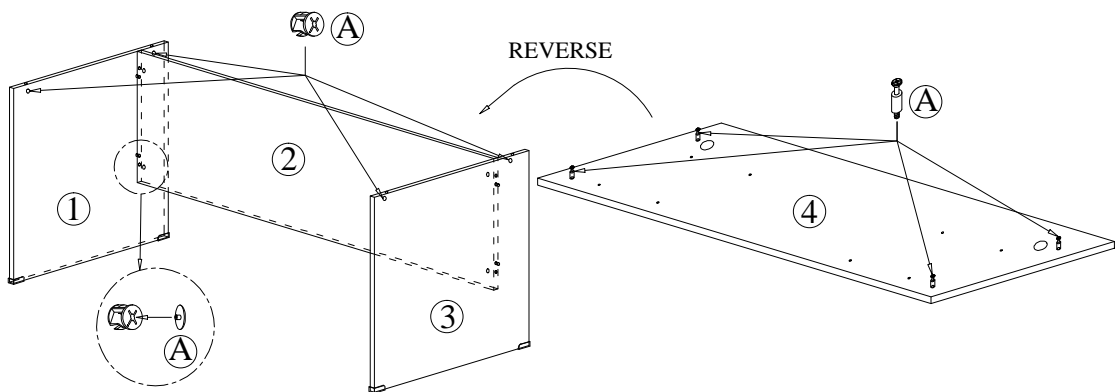
## STEP 1



## STEP 2



## STEP 3



## FINISHING

