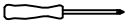


# ASSEMBLY INSTRUCTION

MODEL : QT 158

PART	QTY
A ALLEN KEY	1 pc

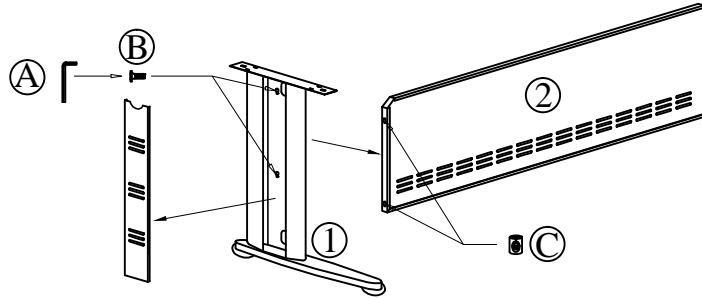
PART	QTY
C BARREL NUT	4 pcs

Tools Required
 SCREWDRIVER

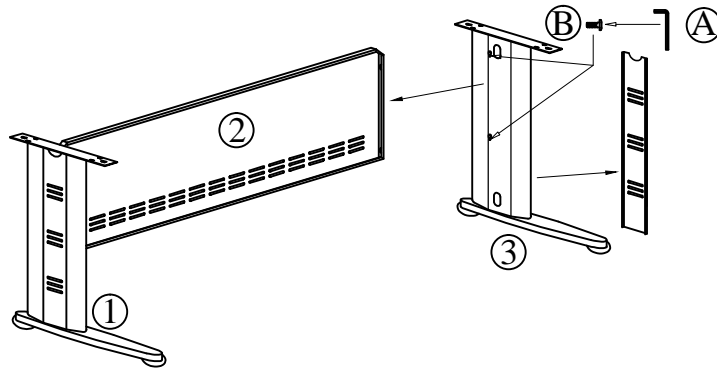
PART	QTY
B JCBC M6 x 16mm	8 pcs

PART	QTY
D M3.5 x 20mm	8 pcs

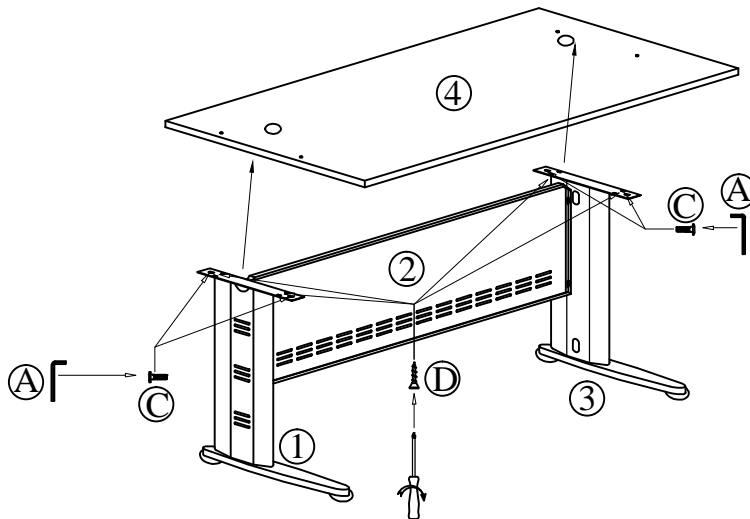
## STEP 1



## STEP 2



## STEP 3



## FINISHING

