



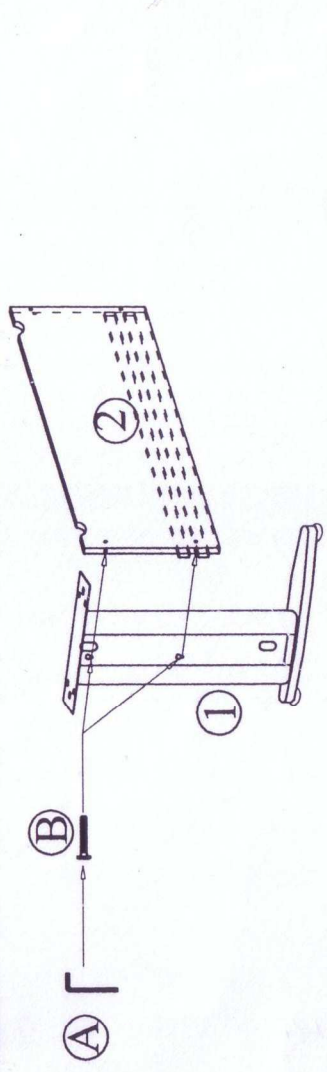
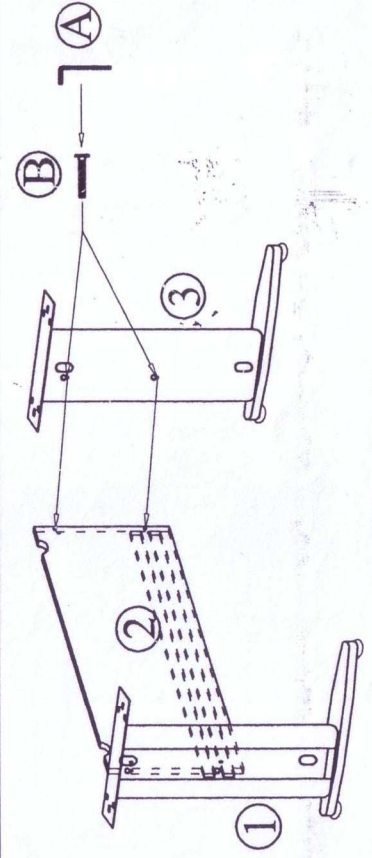


PART	QTY	PART	QTY
A 	1	C 	4
PART	QTY	PART	QTY
B 	4	D 	8

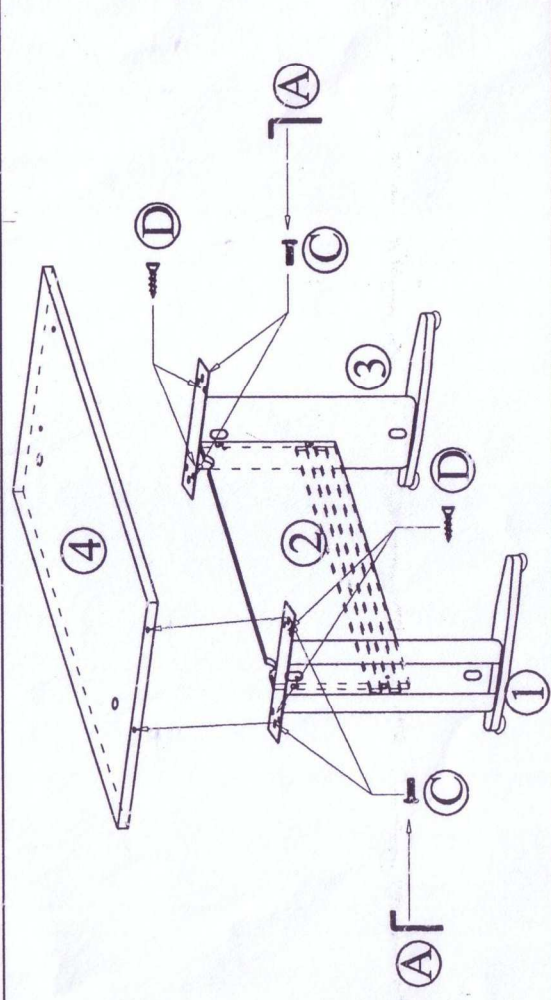
STEP 1



STEP 2



STEP 3



FINISHING

