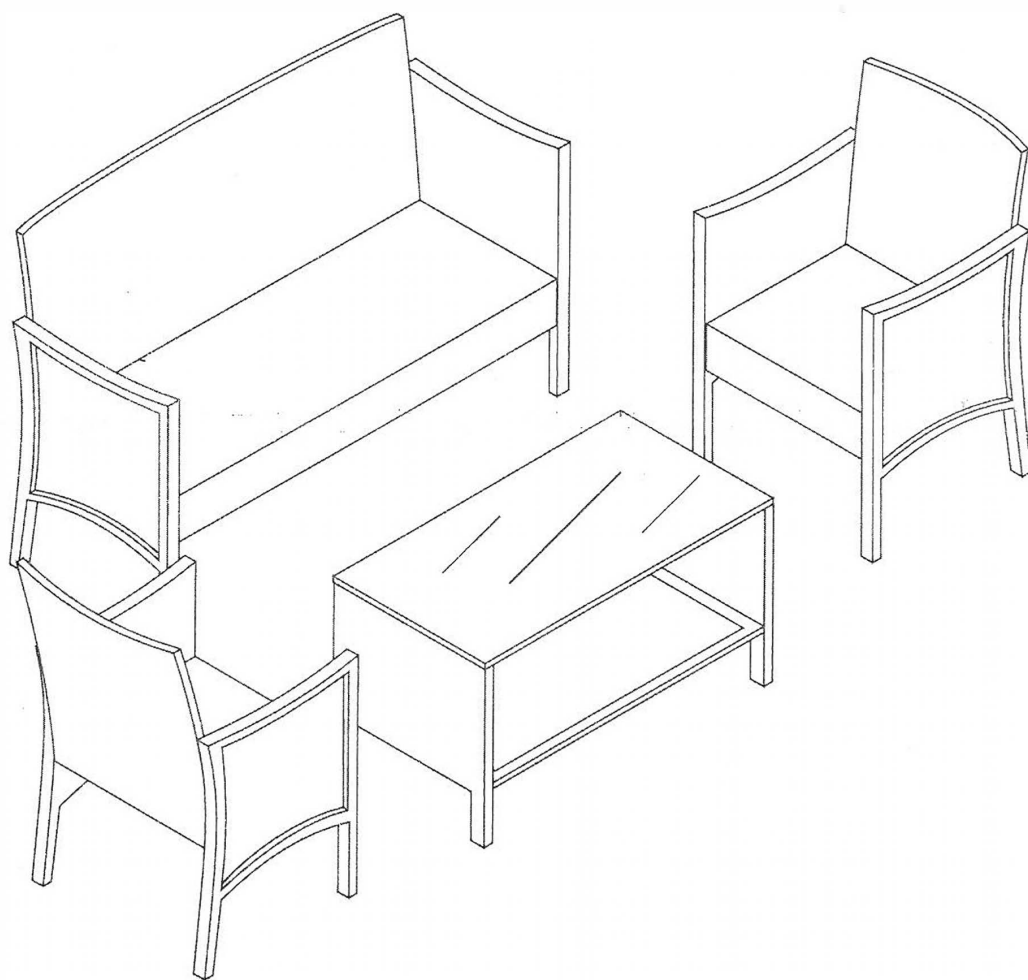
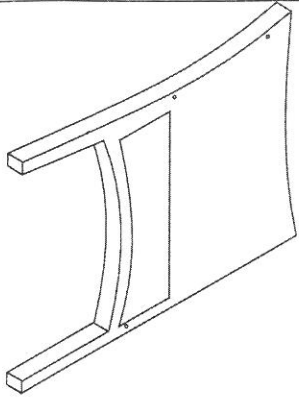


F00310



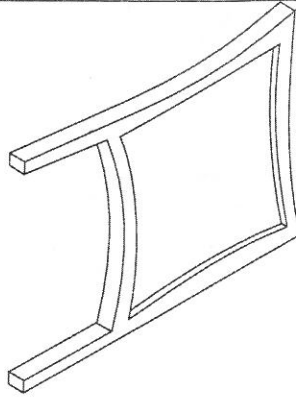
**NOTE:50% TIGHTEN BEFORE FIXING ALL BOLTS**

**A**



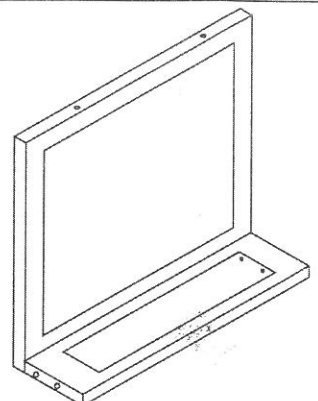
X3

**B**



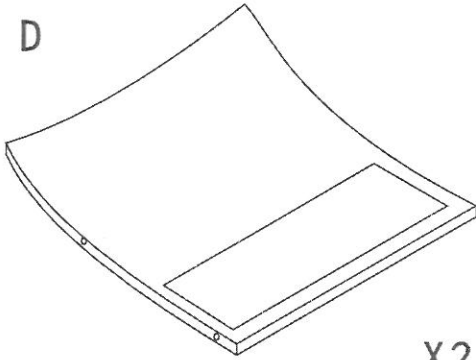
X3

**C**



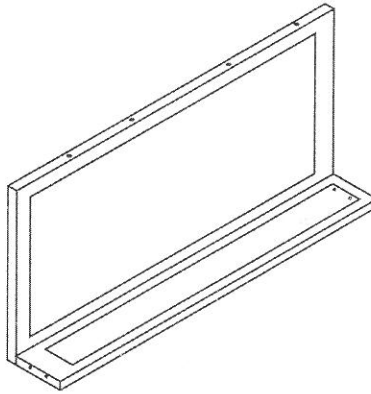
X2

**D**

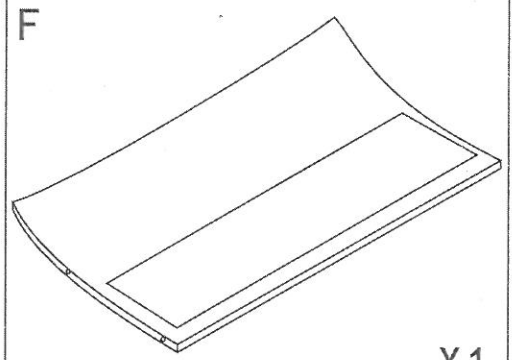


X2

**E**

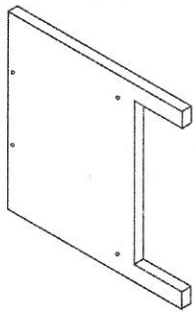


X1



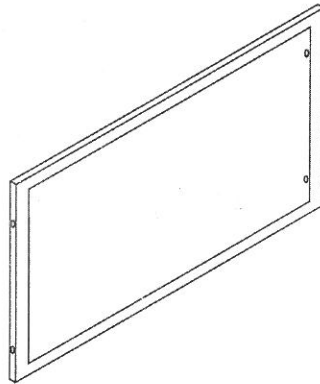
X1

**G**

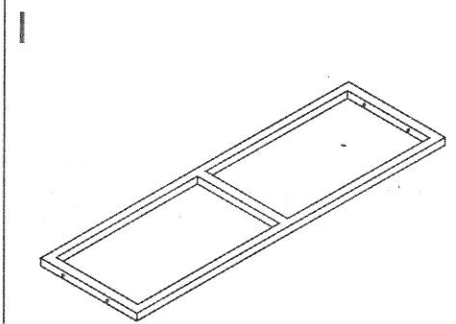


X2

**H**

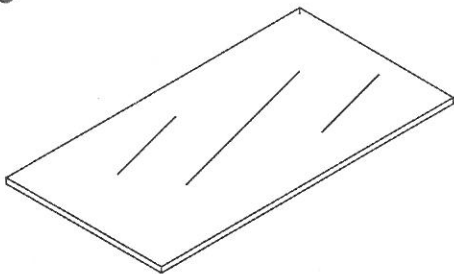


X1



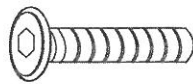
X1

**J**



X1

**K**



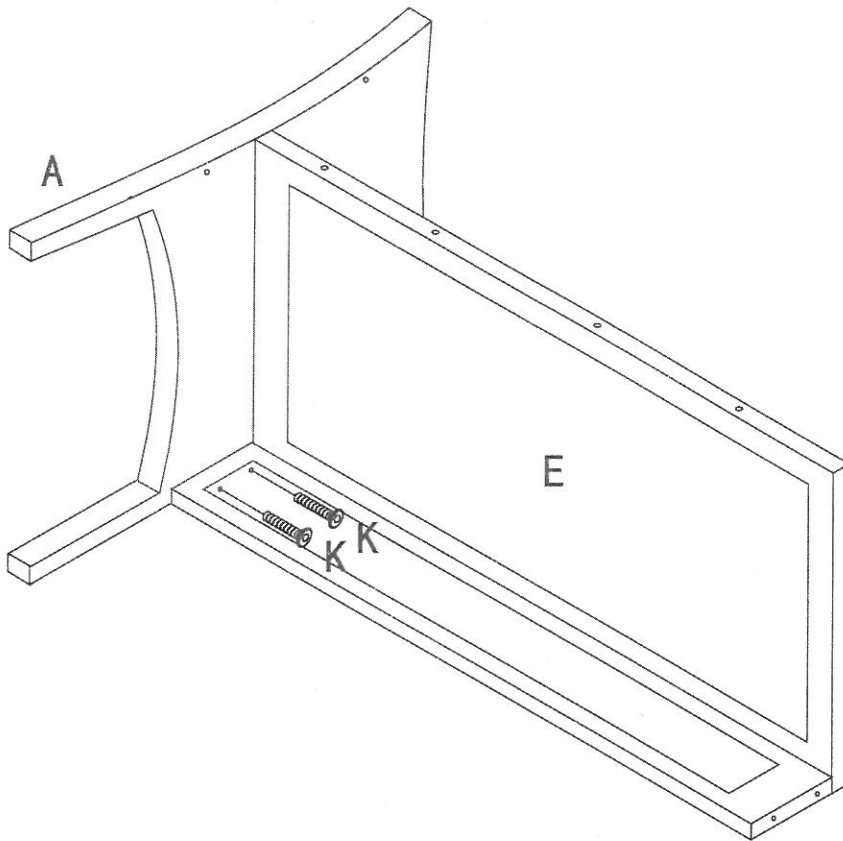
M 6X30

X39



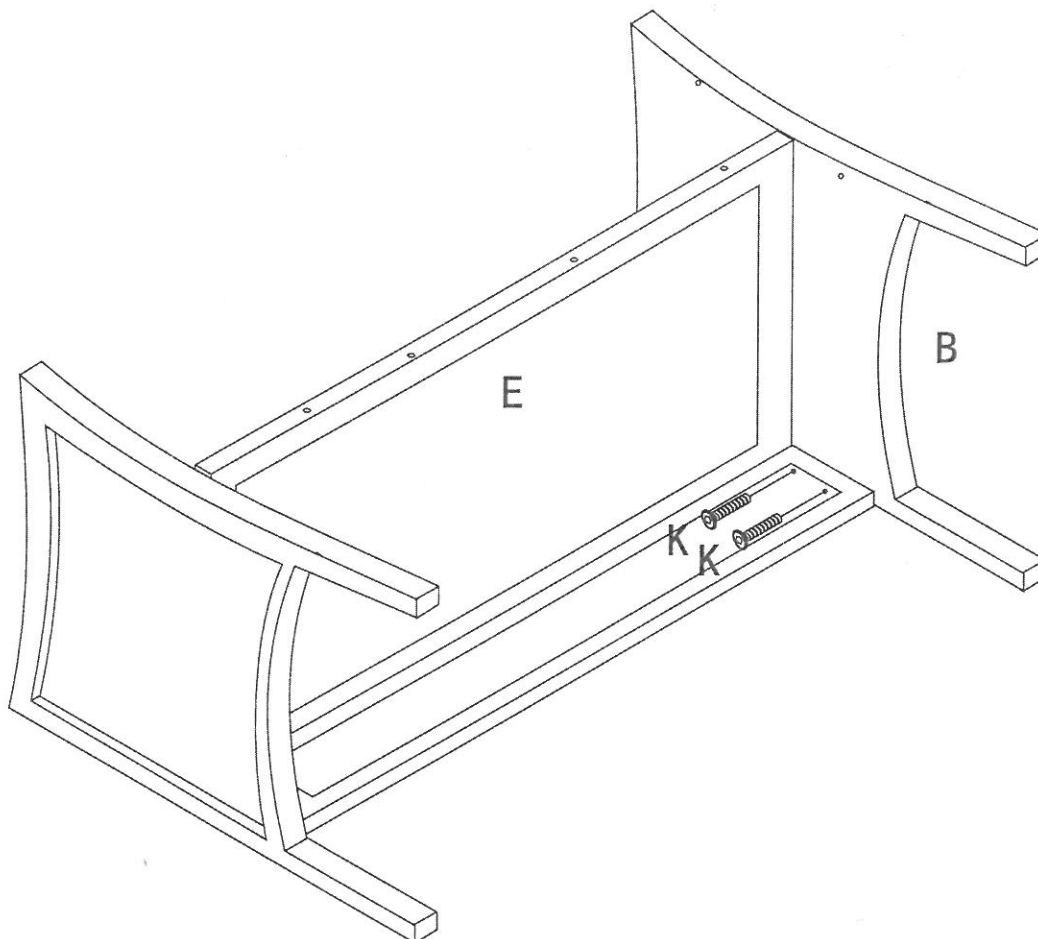
1

NOTE:50% TIGHTEN BEFORE FIXING ALL BOLTS



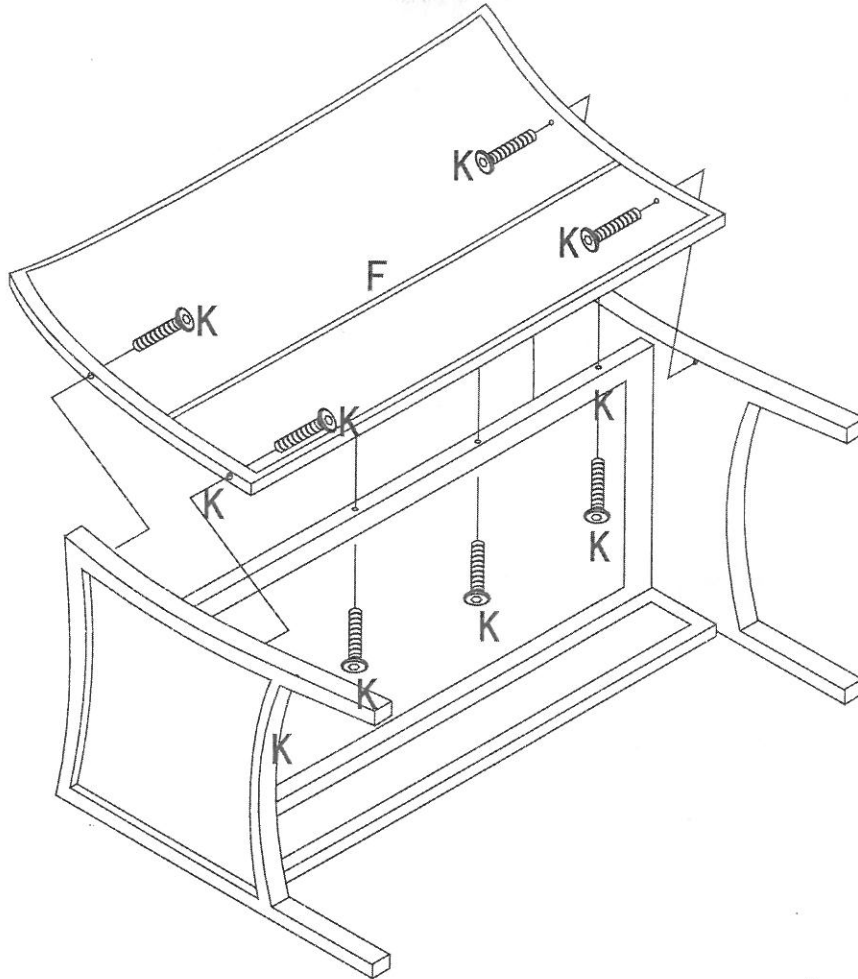
2

NOTE:50% TIGHTEN BEFORE FIXING ALL BOLTS



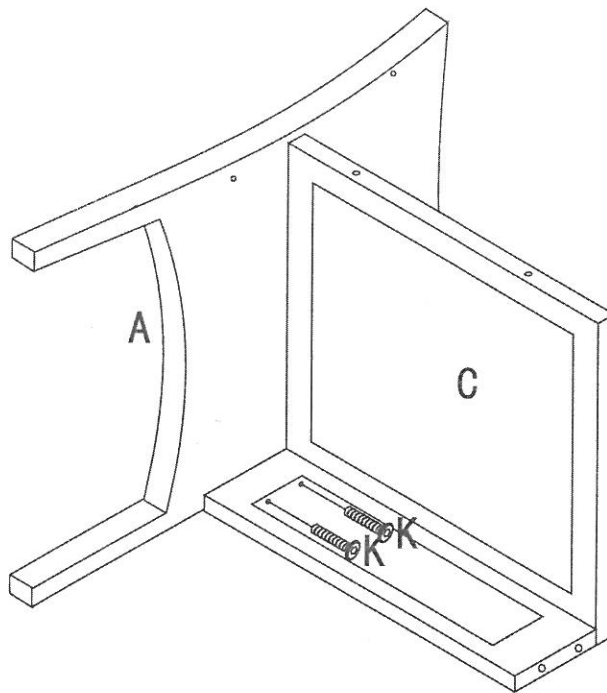
3

NOTE:50% TIGHTEN BEFORE FIXING ALL BOLTS



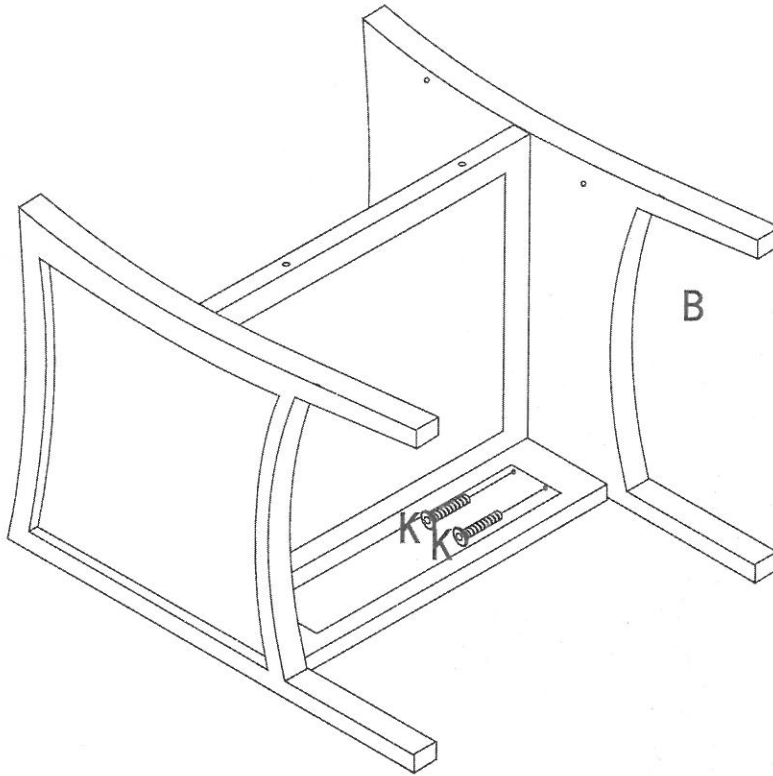
4

NOTE:50% TIGHTEN BEFORE FIXING ALL BOLTS



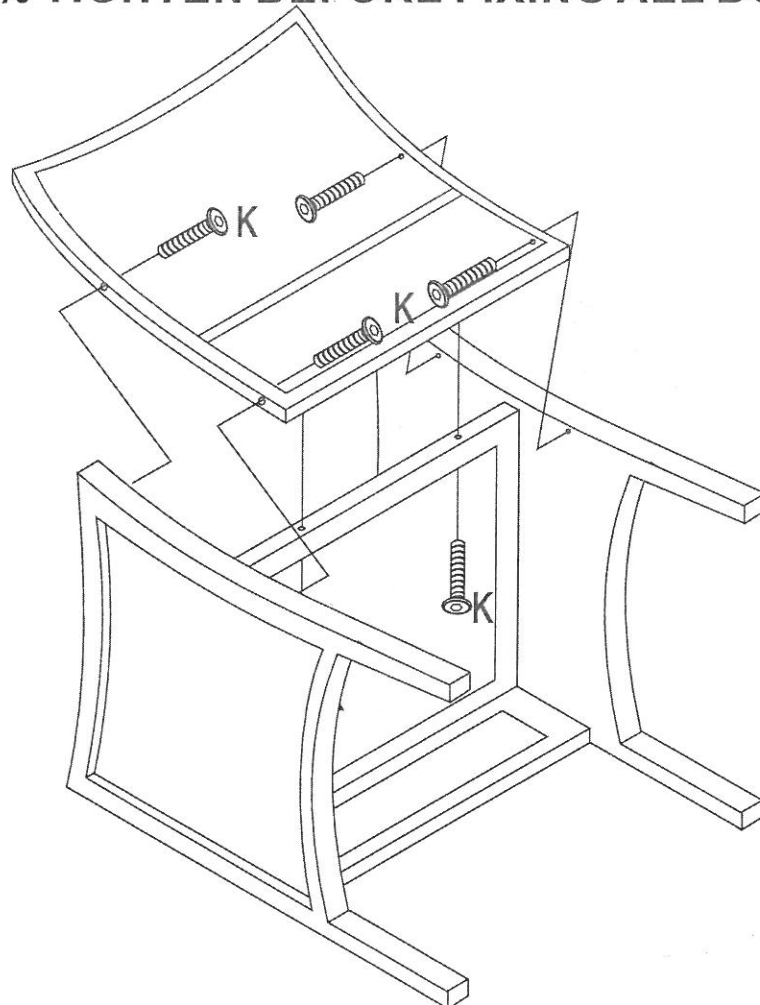
5

NOTE:50% TIGHTEN BEFORE FIXING ALL BOLTS



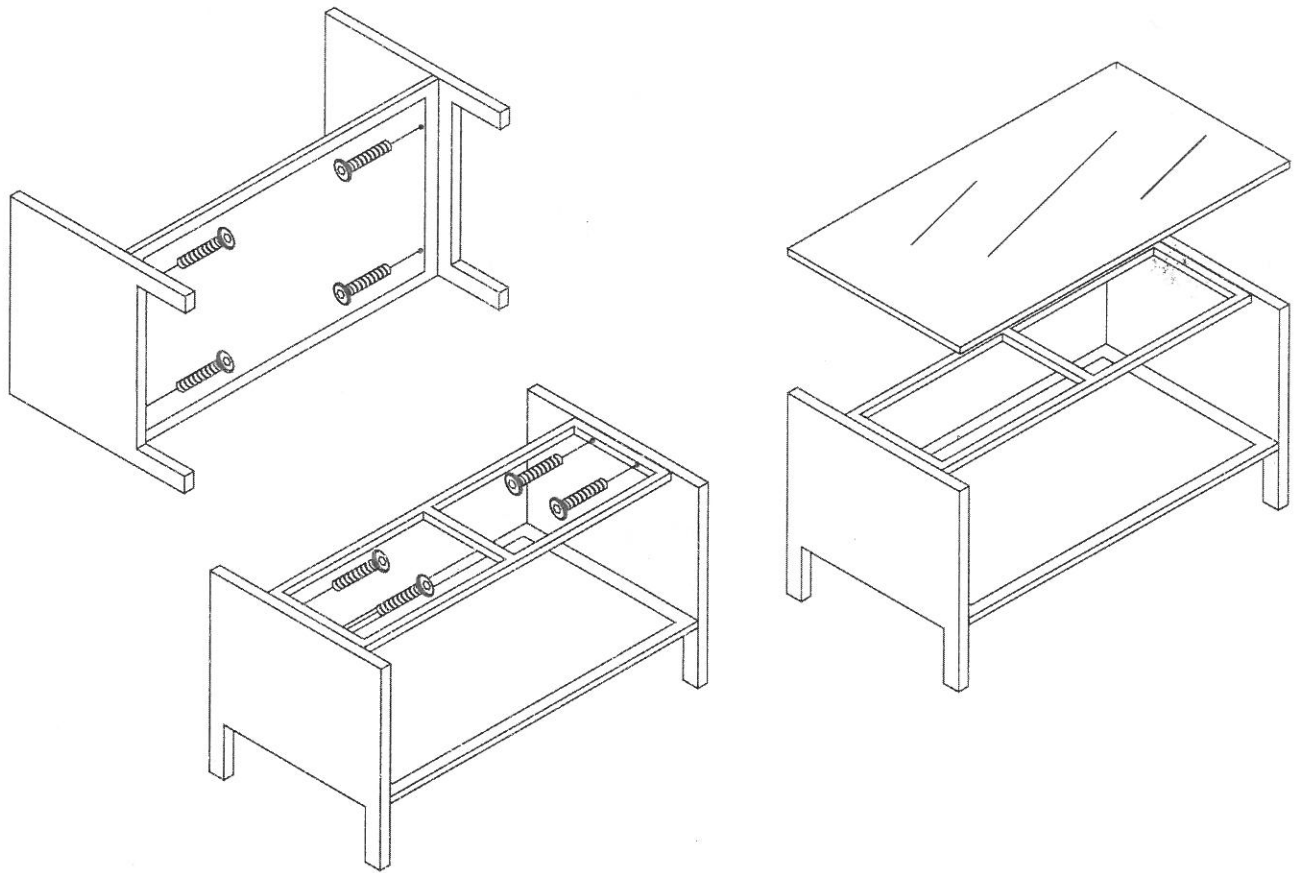
6

NOTE:50% TIGHTEN BEFORE FIXING ALL BOLTS



7

**NOTE:50% TIGHTEN BEFORE FIXING ALL BOLTS**



8

**NOTE:50% TIGHTEN BEFORE FIXING ALL BOLTS**

