

SOFT, DRY CLOTH

CHEMICAL

HEAT

KEEP DRY

HANDLE WITH CARE

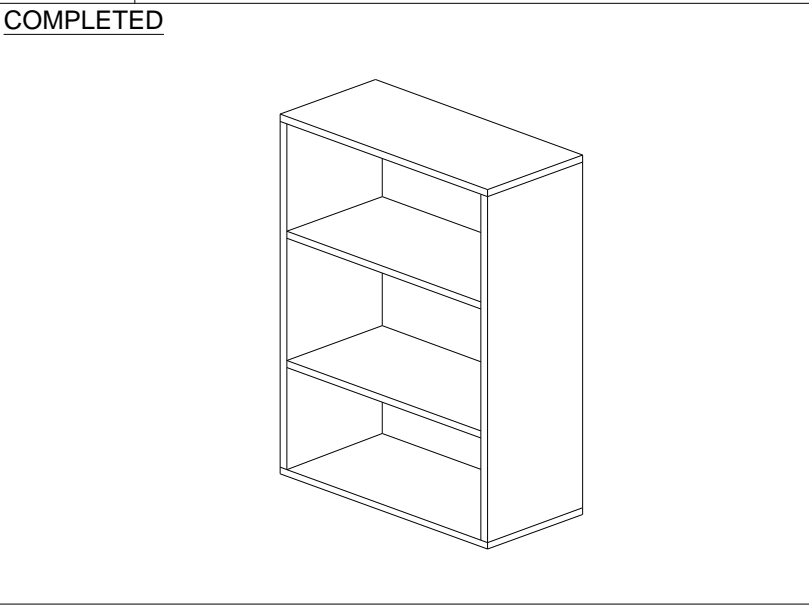
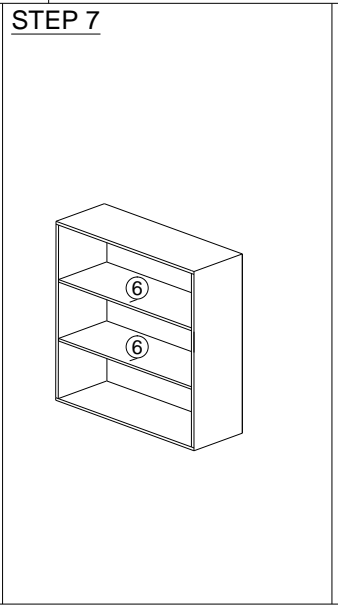
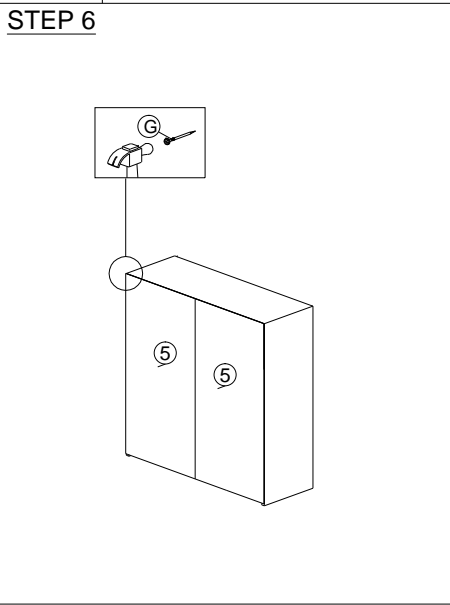
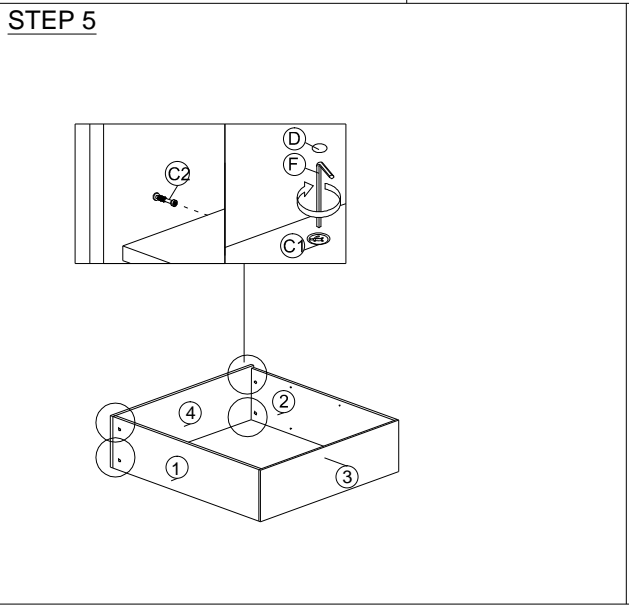
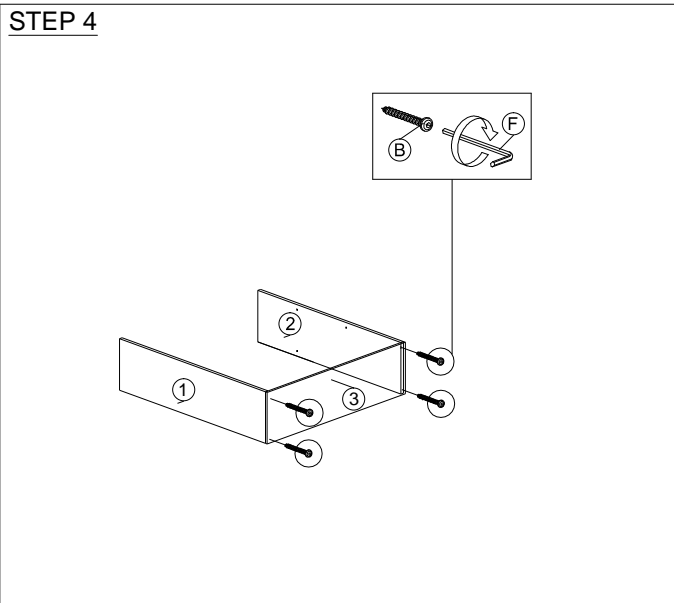
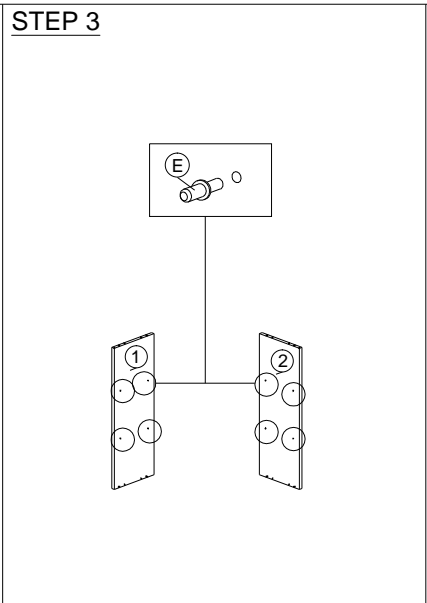
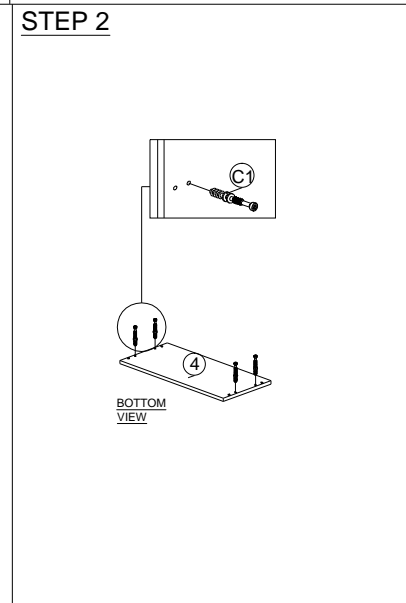
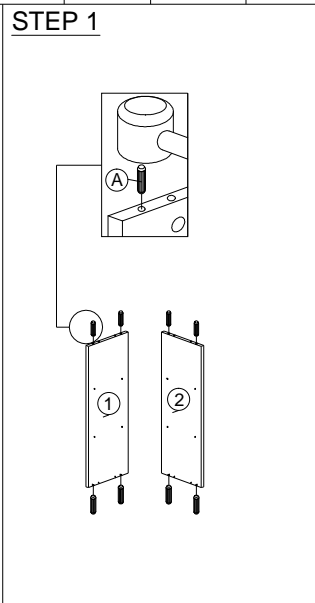
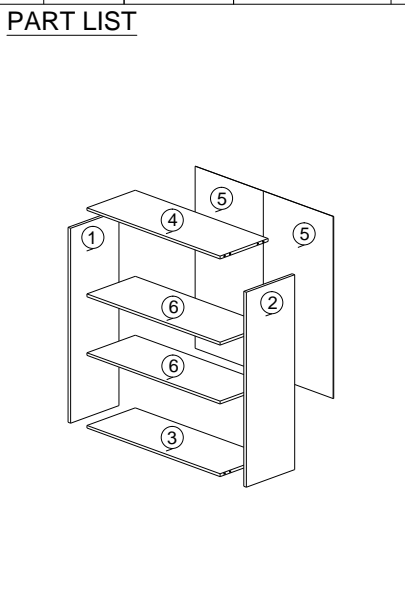
DO NOT USE KNIFE

ASSEMBLY INSTRUCTION

MODEL : EO 3035(BOOKCASE)

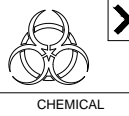
DESCRIPTION : BOOKCASE

HARDWARE	A	B	C	D	E	F	G
WOOD DOWEL 8 X 25	8	CSK CAP WOOD M6X50MM	4 SETS	QUICKFIT CAP	PVC SHELF SUPPORT	ALLEN KEY	NAIL 5/8
				4	8	1	16

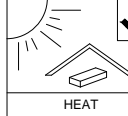




SOFT, DRY CLOTH



CHEMICAL



HEAT



KEEP DRY



HANDLE WITH CARE



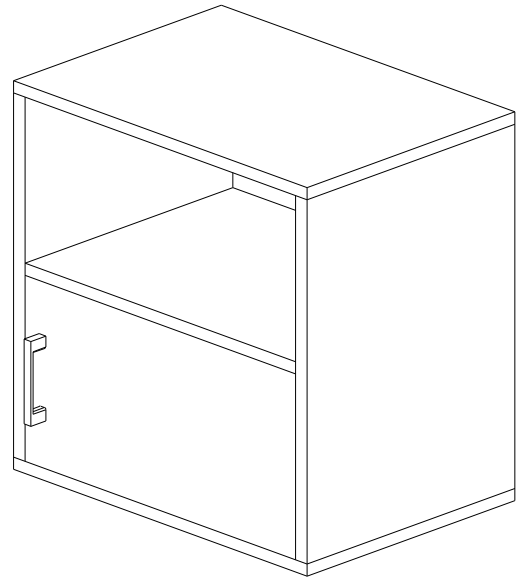
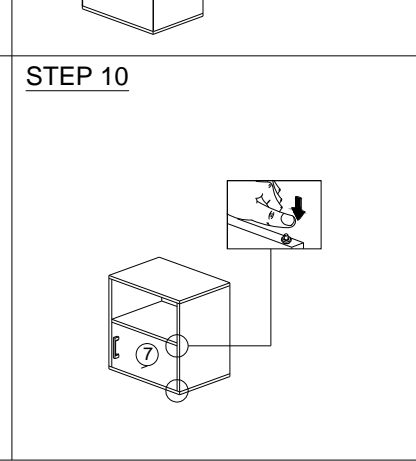
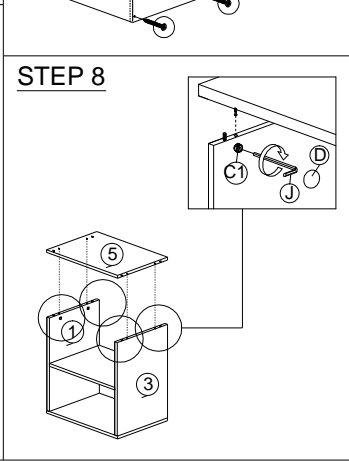
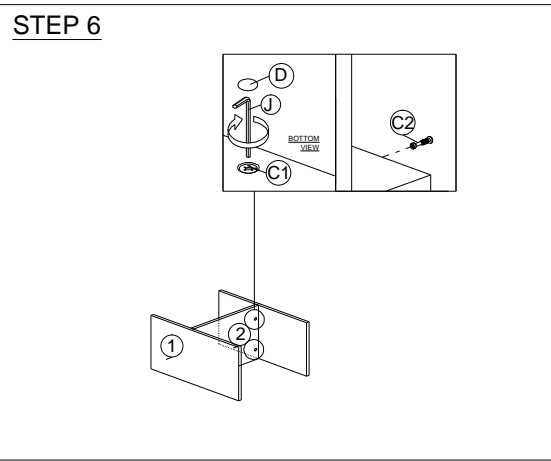
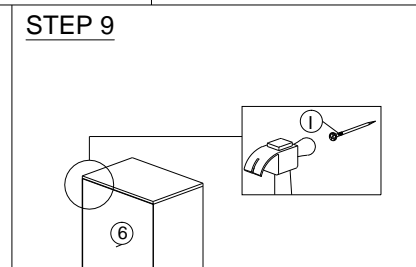
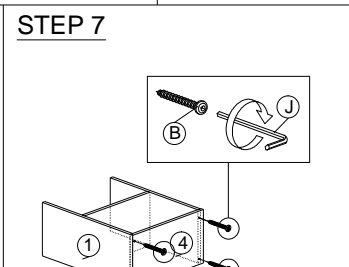
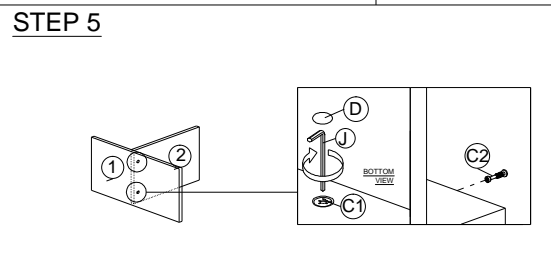
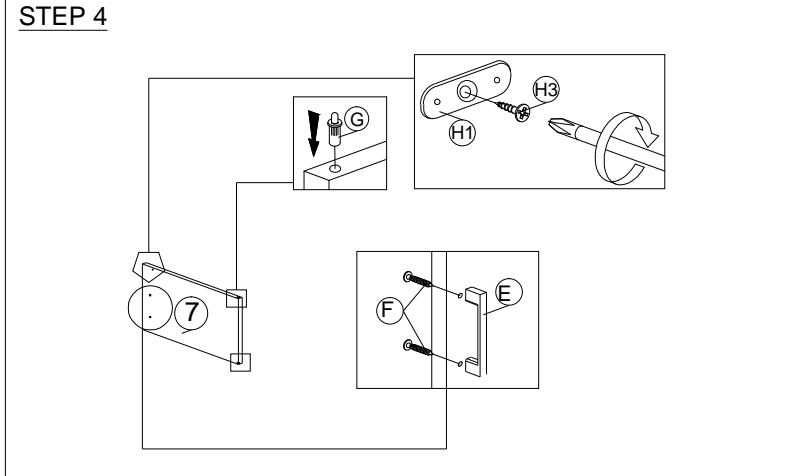
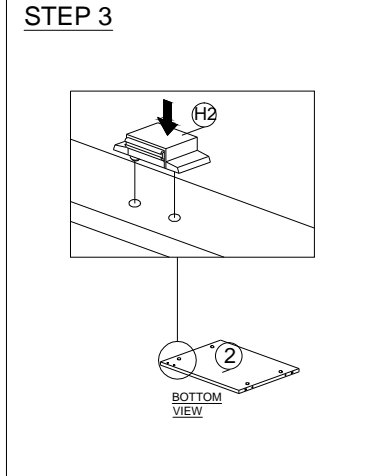
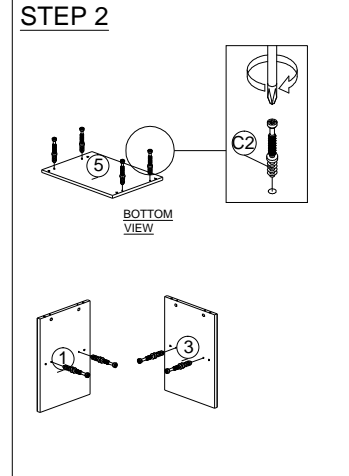
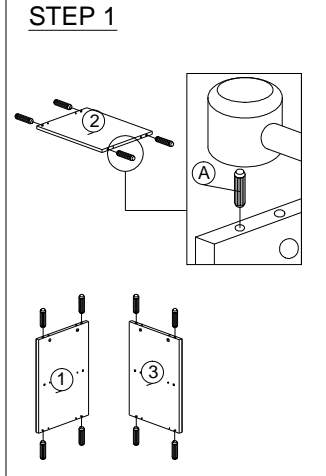
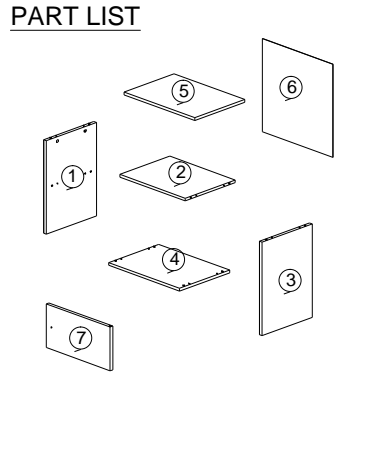
DO NOT USE KNIFE

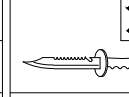
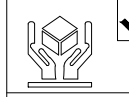
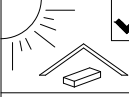
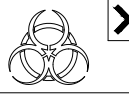
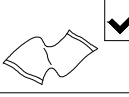
ASSEMBLY INSTRUCTION

MODEL : EO 3035(CABINET)

DESCRIPTION : CABINET

HARDWARE	A	B	C	D	E	F	G	H	I	J
	WOOD DOWEL 8 X 25	CSK CAP WOOD M6X50MM	C1 C2 MINIFIX 5654+5646	MINIFIX CAP	HANDLE 108 -106MM (PVC)	CB SCREW M4X25MM	DOOR SUPPORT SPRING	MAGNET PLATE (1 HOLE)	3.5 KG MAGNET	CB SCREW M3X12MM
	12	4	8 SETS	8	1	2	2	H1 H2 H3	10	1





ASSEMBLY INSTRUCTION

MODEL : EO 3035(DESK)

DESCRIPTION : OFFICE TABLE

HARDWARE

- | | | | | | |
|---|---|--------------------------------------|-----------------------------------|--|--|
| A

WOOD DOWEL
8 X 25
4 | B
B1
MINIFIX
5654+5546
14 SETS
B2

14 | C

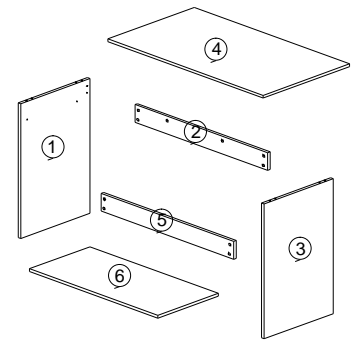
MINIFIX
CAP
14 | D

ALLEN
KEY
1 | E
E1
DRAWER SLIDE 14"
1 SETS
E2

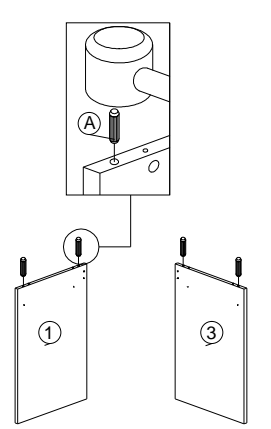
12 | F

CB
SCREW
M3.5X16MM
12 |
|---|---|--------------------------------------|-----------------------------------|--|--|

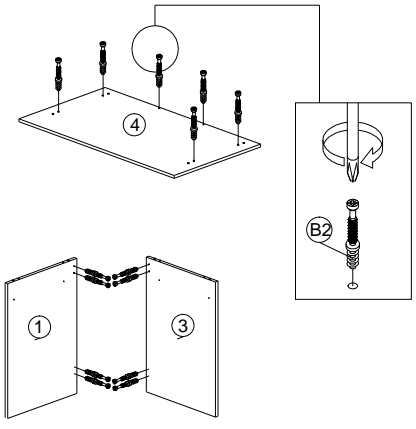
PART LIST



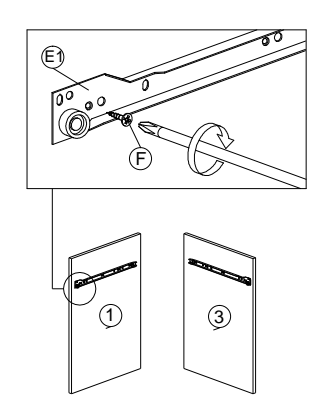
STEP 1



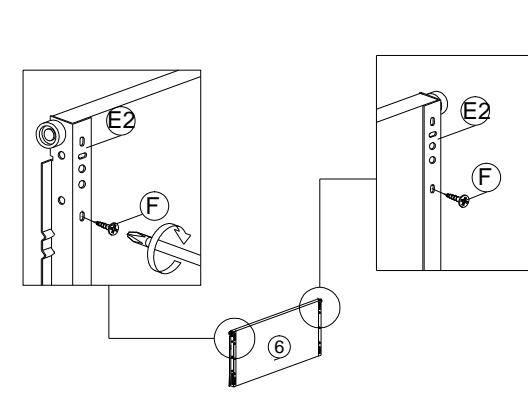
STEP 2



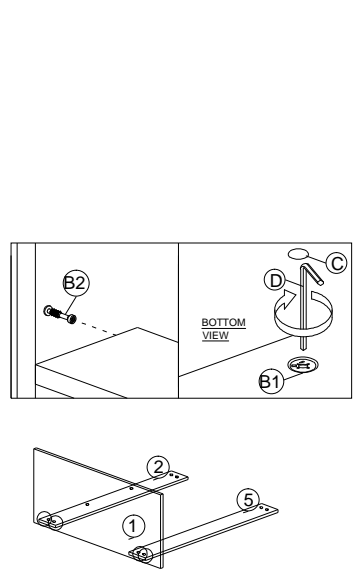
STEP 3



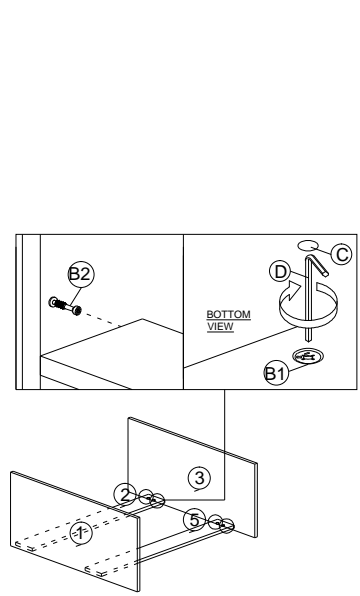
STEP 4



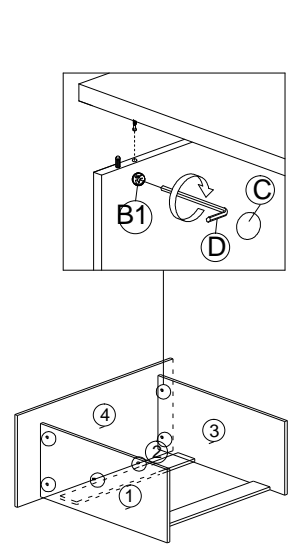
STEP 5



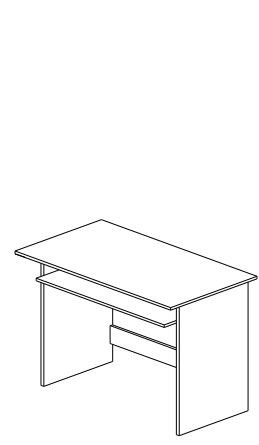
STEP 6



STEP 7



STEP 8



COMPLETED

