

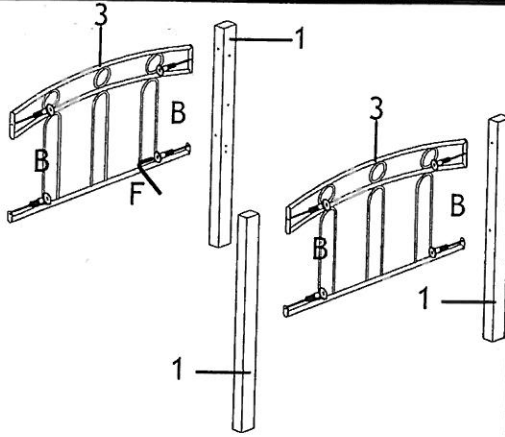
ASSEMBLY INSTRUCTION

MODEL : WWZ 216 (NORTON) DOUBLE DECKER BED (Metal Slat) - Half Fencing

Before you begin, please follow Assembly Instruction carefully. Follow them step by step.

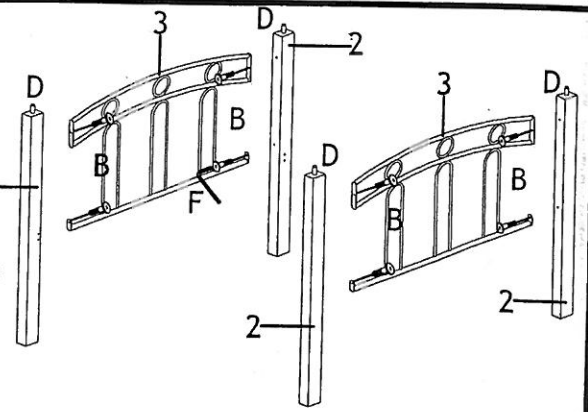
STEP 1

- (B) M6 X 20MM JCBC SCREW - 8 PCS
- (F) M4 ALLEN KEY - 1 PC



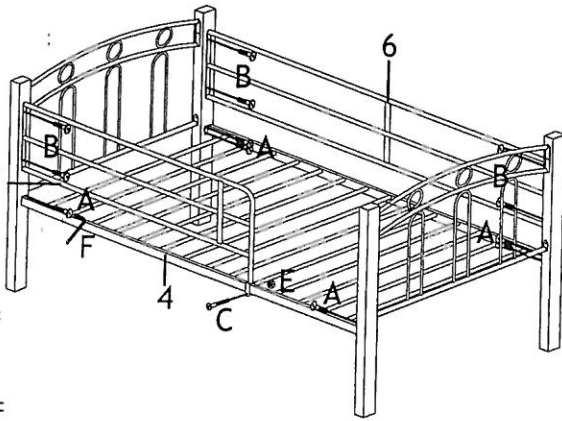
STEP 2

- (B) M6 X 20MM JCBC SCREW - 8 PCS
- (D) WOOD DOWEL M16 X 65MM - 4 PCS
- (F) M4 ALLEN KEY - 1 PC



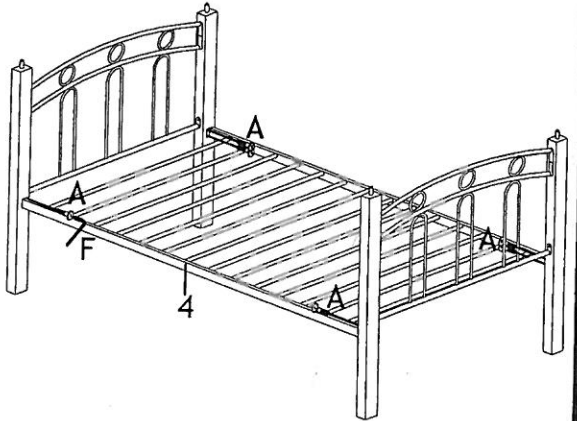
STEP 3

- (A) M6 X 20MM JCBB SCREW - 8 PCS
- (B) M6 X 20MM JCBC SCREW - 6 PCS
- (C) M6 X 40MM JCBC SCREW - 1 PC
- (E) M6 HEX NUTS - 1 PC
- (F) M4 ALLEN KEY - 1 PC



STEP 4

- (A) M6 X 20MM JCBB SCREW - 8 PCS
- (F) M4 ALLEN KEY - 1 PC



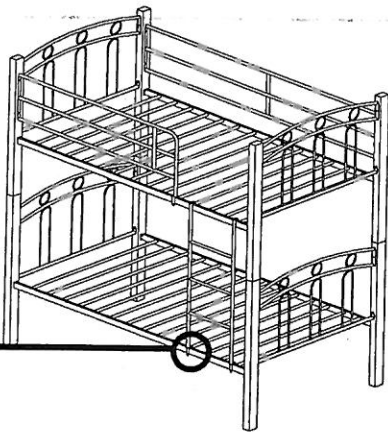
ASSEMBLY INSTRUCTION

MODEL : WWZ 216 (NORTON) DOUBLE DECKER BED (Metal Slat) - Half Fencing

Before you begin, please follow Assembly Instruction carefully. Follow them step by step.

STEP 5

- (C) M6 X 40MM JCBC SCREW - 2 PCS
- (E) M6 HEX NUTS - 2 PCS
- (F) M4 ALLEN KEY - 1 PC



PART LIST

1 TOP POST X 4 PCS	2 BOTTOM POST X 4 PCS	5 STAIRCASE X 1 PC
3 HEADBOARD / FOOTBOARD X 4 PCS	6 LONG FENCING A X 1 PC	
4 METAL BED BASE X 2 PCS	7 LONG FENCING B X 1 PC	

HARDWARE LIST

(A) M6 X 20MM JCBB SCREW - 16 PCS	(D) WOOD DOWEL M16 X 65MM - 4 PCS
(B) M6 X 20MM JCBC SCREW - 22 PCS	(E) M6 HEX NUTS - 3 PCS
(C) M6 X 40MM JCBC SCREW - 3 PCS	(F) M4 ALLEN KEY - 1 PC