

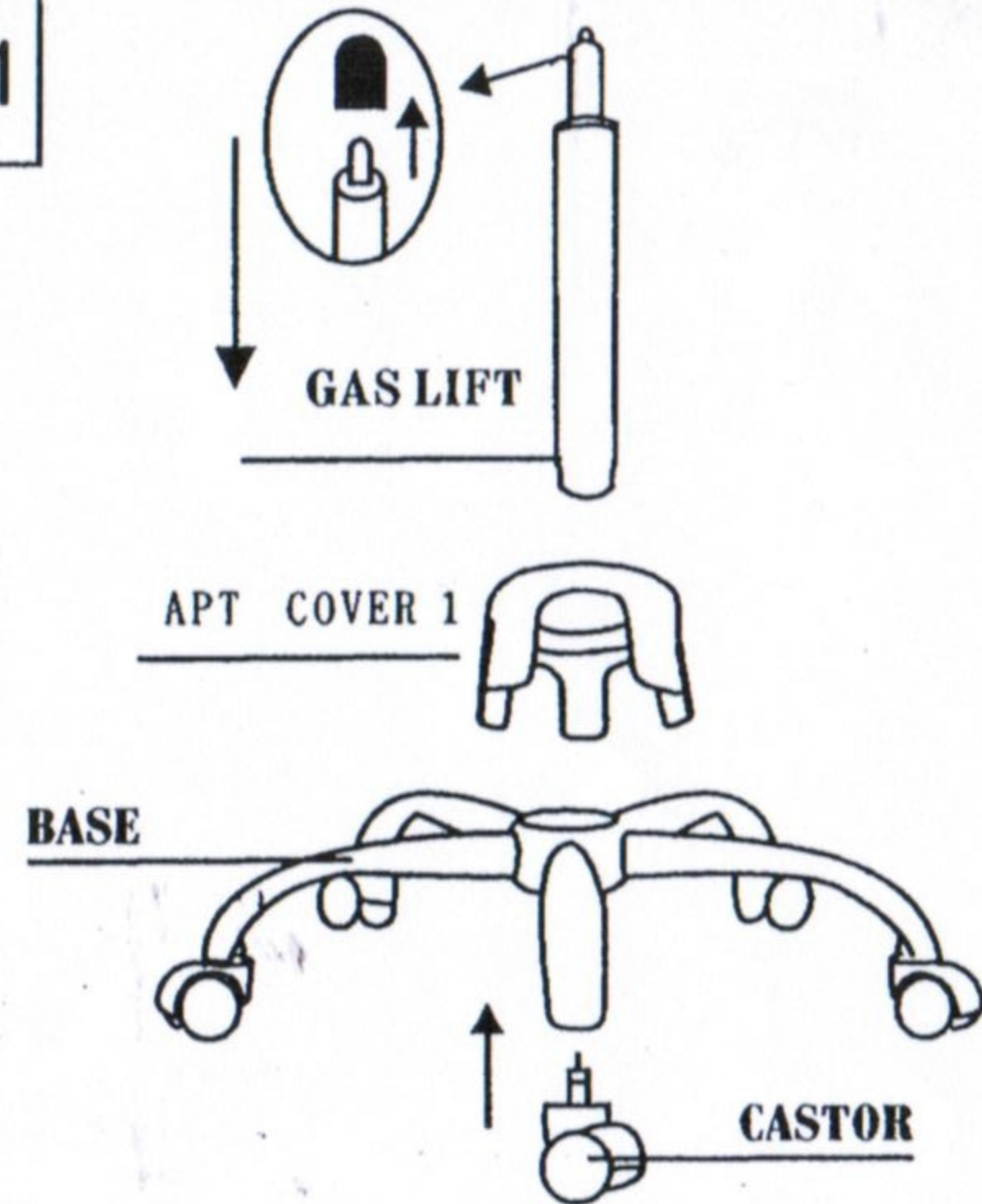
BARSTOOL

ASSEMBLY INSTRUCTION

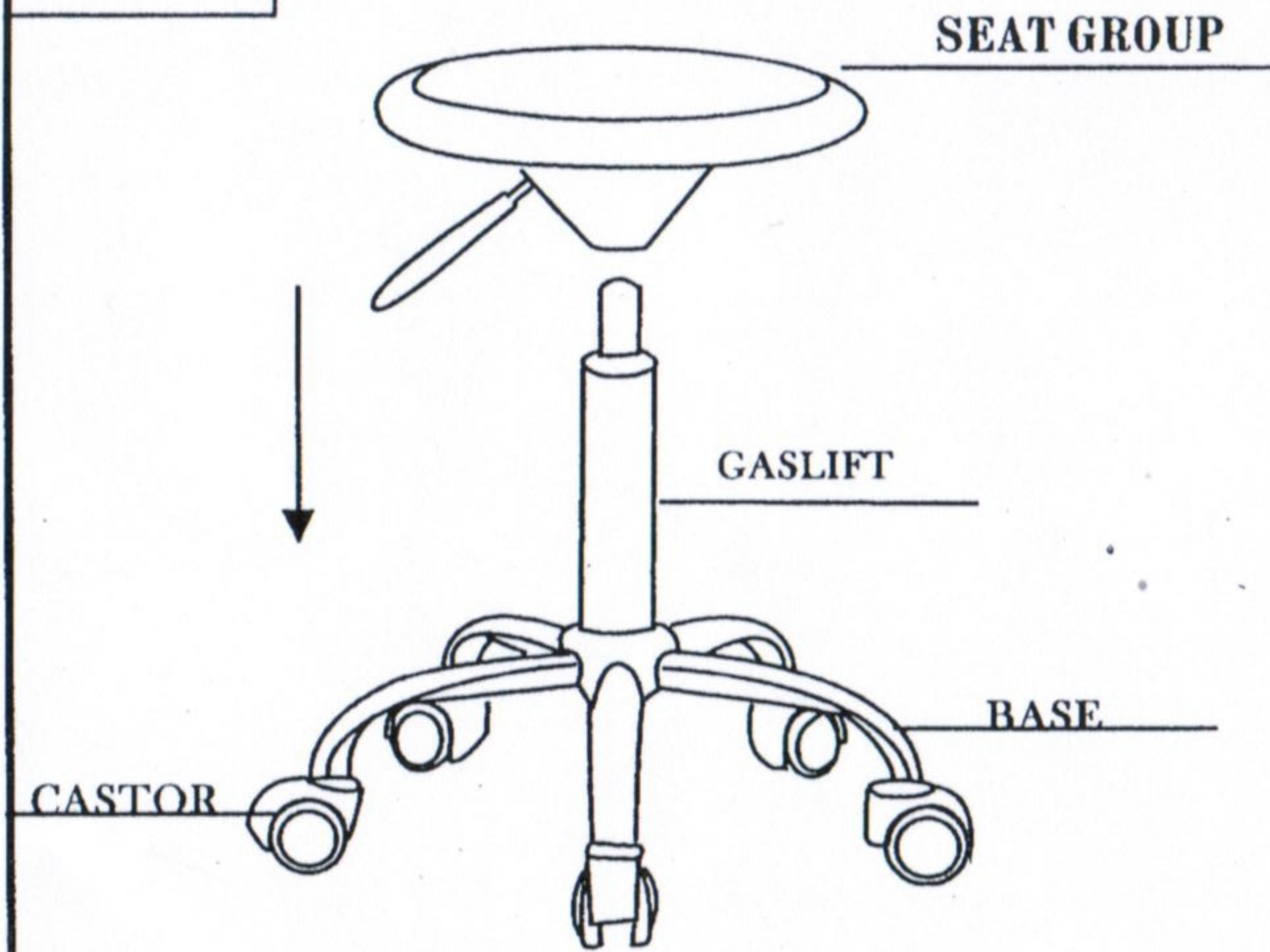
▽ PARTS x QTY

▽ ASSEMBLY PROGRAM

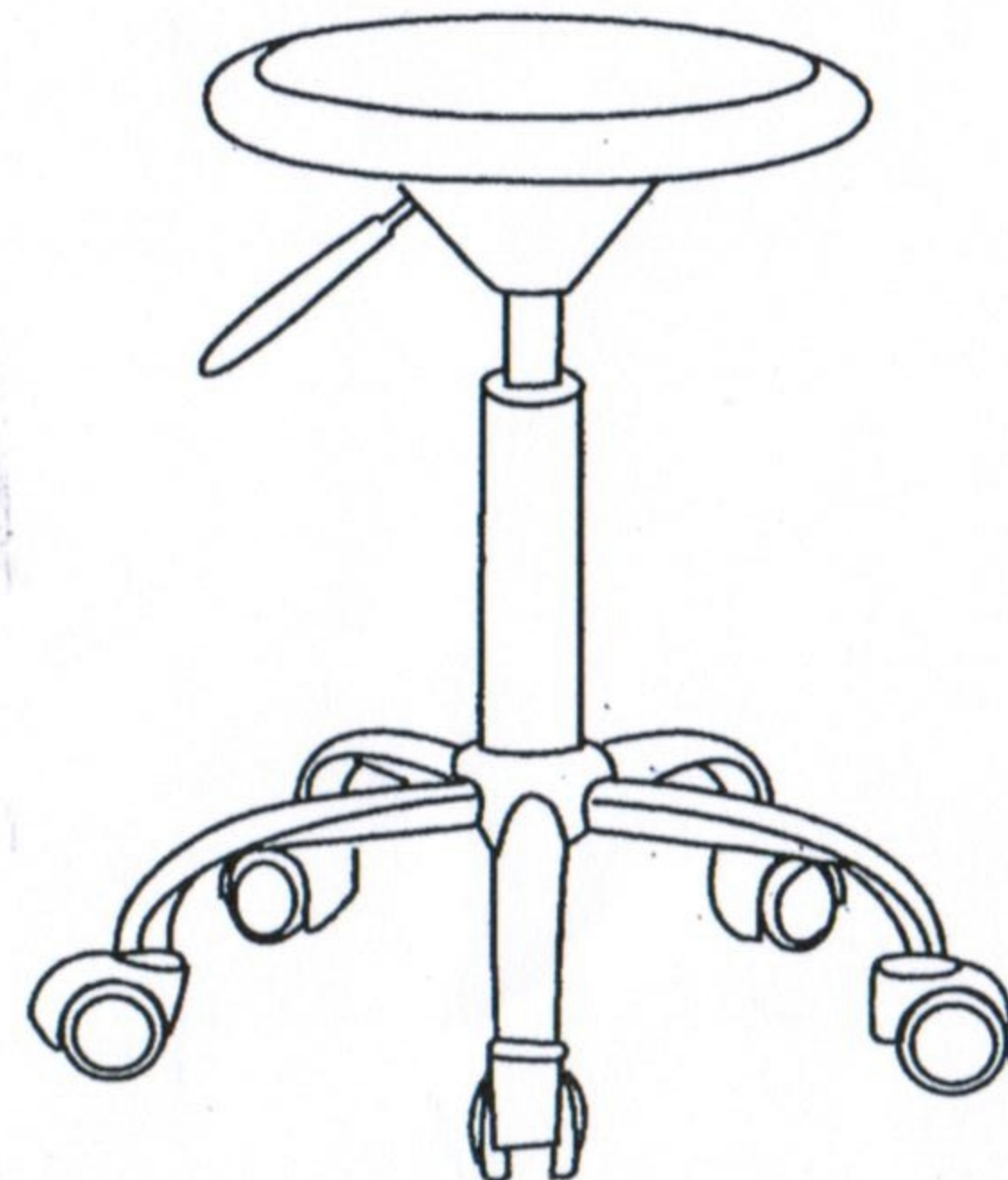
STEP 1



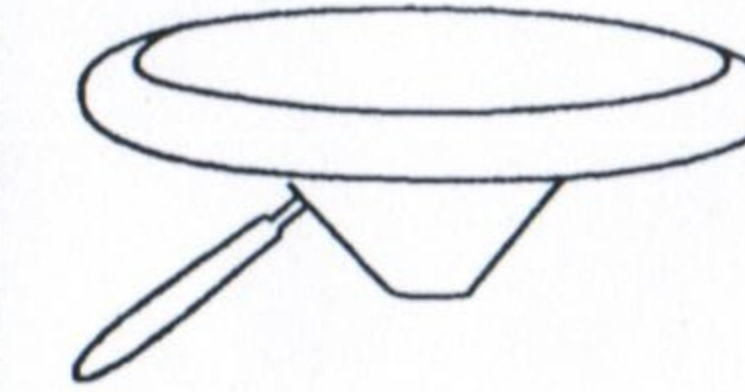
STEP 2



FINISH



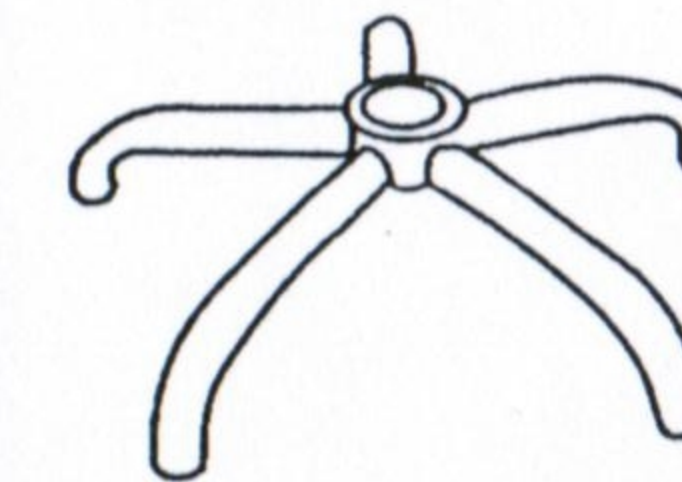
SEAT GROUP x1



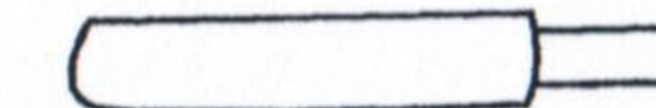
CASTOR x 5



BASE x 1



GAS LIFT x1



APT COVER 1

