

# ASSEMBLY INSTRUCTION

FLORA

MODEL : WWZ ST 50 ( FLORA ) SIDE TABLE - 1 DRAWER

Before you begin, please follow Assembly Instruction carefully. Follow them step by step.

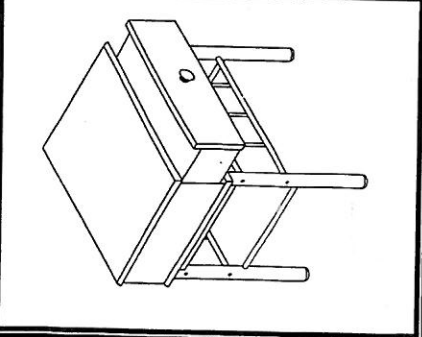
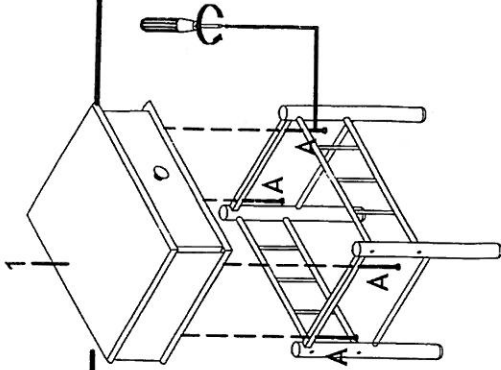
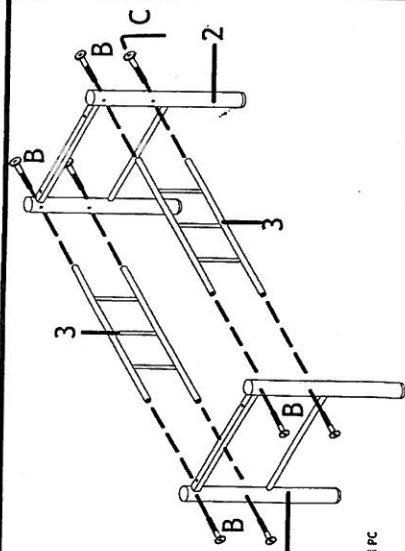
## STEP 5

(B) M6 X 50MM JCBC SCREW - 8 PCS




REQUIRED ASSEMBLY TOOLS:  
POZI SCREWDRIVER - 1PC




(A) M4 X 32MM CSK SCREW - 4 PCS

(C) M4 ALLEN KEY - 1 PC



FULL SETUP

HARDWARE LIST	
	(A) M4 X 32MM CSK SCREW - 4 PCS
	(B) M6 X 50MM JCBC SCREW - 8 PCS
	(C) M4 ALLEN KEY - 1 PC

PART LIST	
	(1) TABLE WITH DRAWER X 1 PC
	(2) TABLE LEGS LEFT & RIGHT X 2 PCS
	(3) PART A X 2 PCS