

# ASSEMBLY INSTRUCTION

MODEL : E 8605.2

DESCRIPTION : CUBE BOX

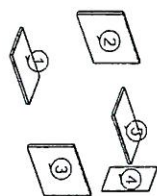
## HARDWARE

A  
WOOD DOWEL  
NR. 4.25  
8

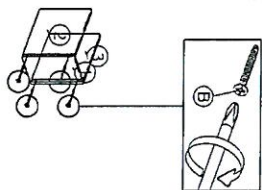
B  
3.8MM  
CR. SCREW  
NR. 4.25  
8

## PART LIST

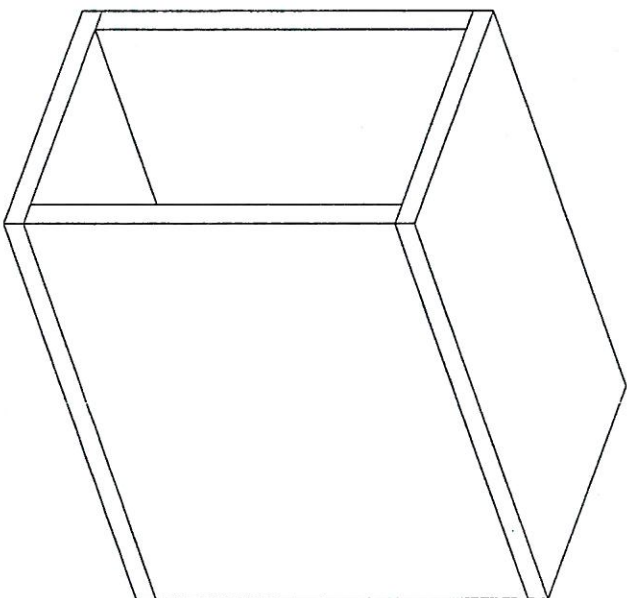
### STEP 1



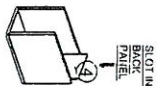
### STEP 2



### COMPLETED



### STEP 3



### STEP 4

