

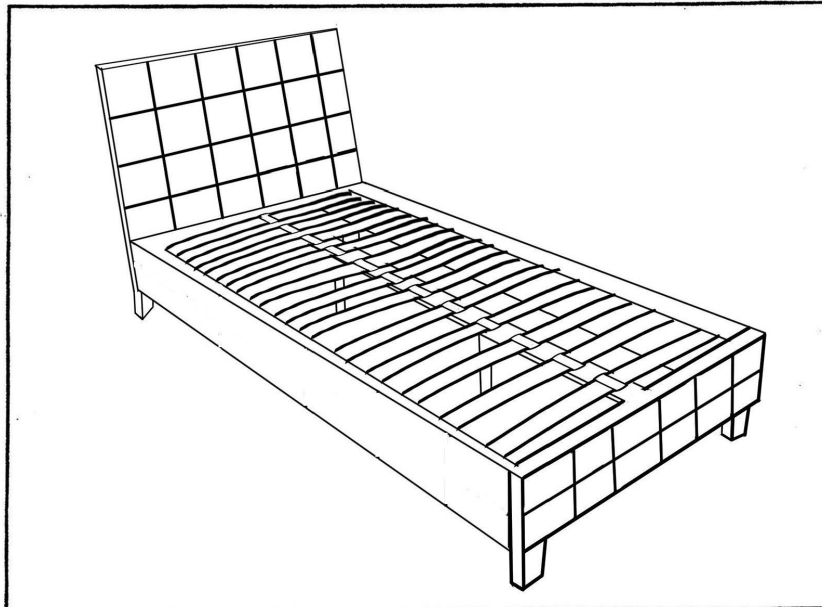
BEDSTEAD

ASSEMBLY INSTRUCTION

Important

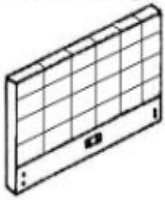
Please inspect all items carefully before assembling. If for any reason you need to return this item, you must return it in its original packaging. Assembled items cannot be returned. In the first instance, contact your retailer.

- IMPORTANT NOTE: * PLACE ALL PARTS ON A CLEAN AND SMOOTH SURFACE SUCH AS A RUG OR CARPET TO AVOID THE PARTS FROM BEING SCRATCHED.
- * KINDLY FOLLOW THE ASSEMBLY INSTRUCTIONS STEP BY STEP.
- * DO NOT TIGHTEN ALL SCREWS UNTIL THE BED IS FULLY ASSEMBLED.

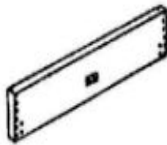


PART LIST

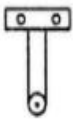
① Headboard 1pc



② Footboard 1pc



③ Support Leg x 2pcs



④ Side Rail x 2pcs



⑤ Centre Support Bar x 1pc



⑥ Slats x 26 pcs



⑦ Double Plastic Cap x 13pcs



⑧ Single Plastic Cap x 26pcs



⑨ Leg x 4pcs



HARDWARE LIST

(A) Bolt M8×30mm×12pcs (B) Bolt M8×35mm×4pcs



(C) Nut M8×13mm×4pcs (D) Spring Washer×8pcs



(E) Flat Washer×12pcs (F) Allen Key M5×1pc



(G) Spanner×1pc (H) Bolt M8×50mm×4pcs



(I) Bolt M6×45mm×2pcs (J) Nut M6×2pcs



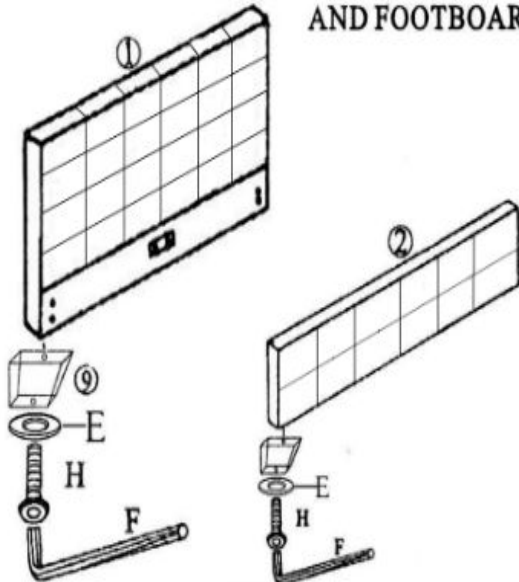
(K) Flat Washer×2pcs (L) Allen Key M6×1pc



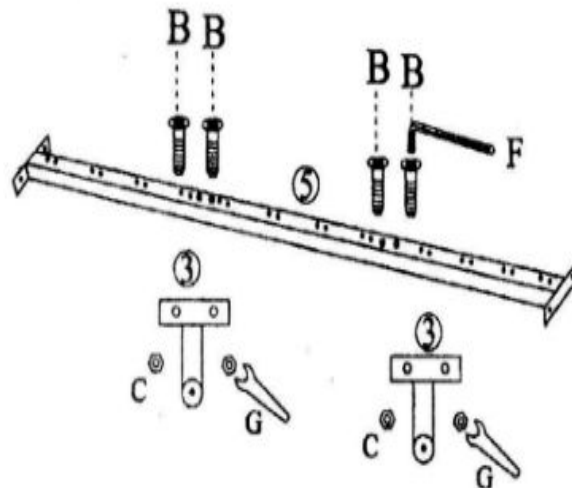
(M) Metal Tie-rod×1pc



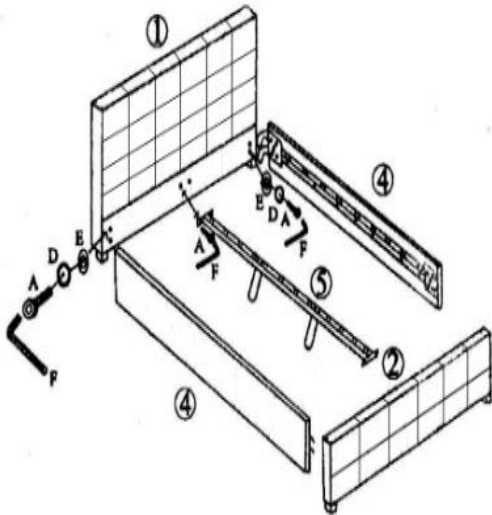
STEP 1 FIXING LEGS TO HEADBOARD AND FOOTBOARD



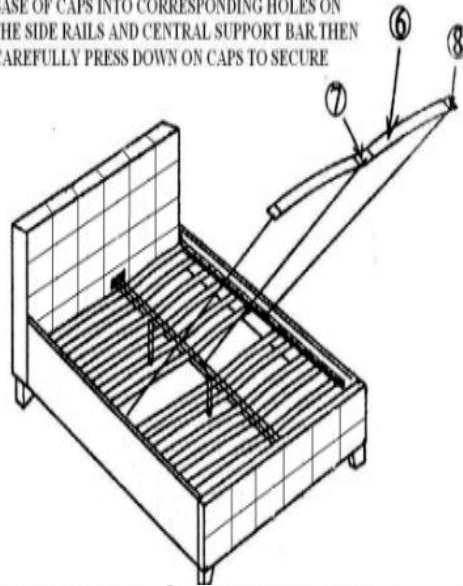
STEP 2 FIXING SUPPORT LEGS TO CENTRE SUPPORT BAR



STEP 3 FIXING SIDE RAILS AND CENTRE SUPPORT BAR TO HEADBOARD AND FOOTBOARD



STEP 4 ONCE SLAT ASSEMBLED POSITION PEGS ON THE BASE OF CAPS INTO CORRESPONDING HOLES ON THE SIDE RAILS AND CENTRAL SUPPORT BAR THEN CAREFULLY PRESS DOWN ON CAPS TO SECURE



STEP 5 ATTACH THE METAL TIE-ROD (M) IN THE CENTRE OF THE BED INTO PRE-DRILLED HOLES IN THE SLAT SUPPORTS, SCREWING ROD TO SUPPORTS WITH I, J, K & L ONCE ROD IS FIXED IN POSITION.

