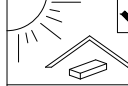




SOFT, DRY CLOTH



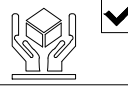
CHEMICAL



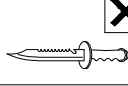
HEAT



KEEP DRY



HANDLE WITH CARE



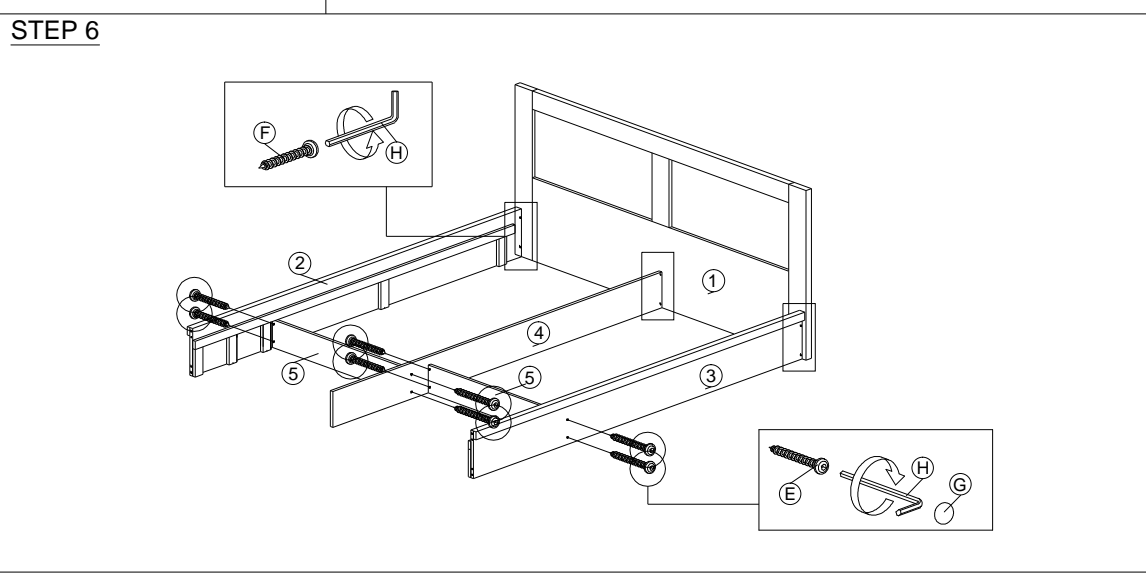
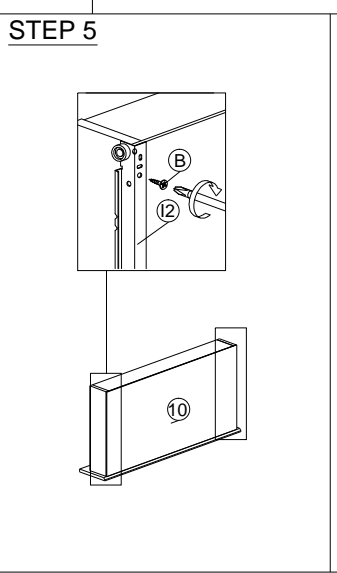
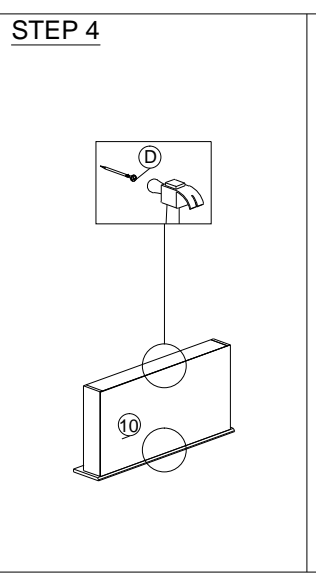
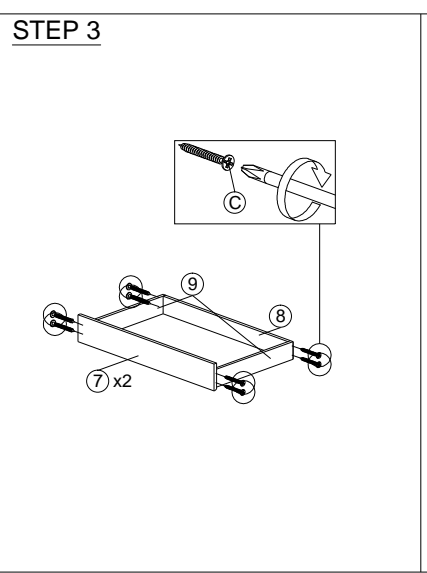
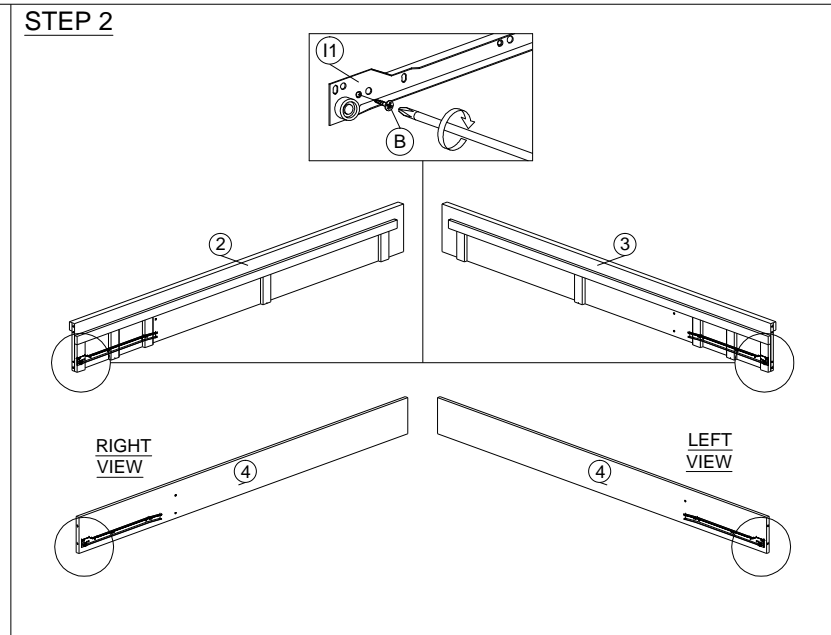
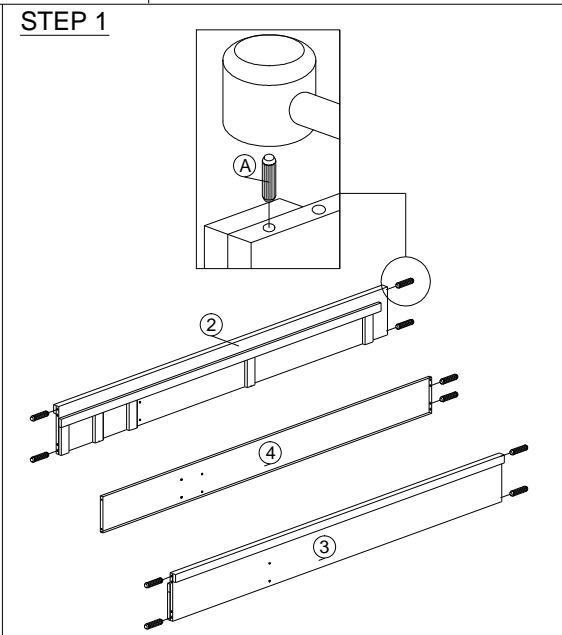
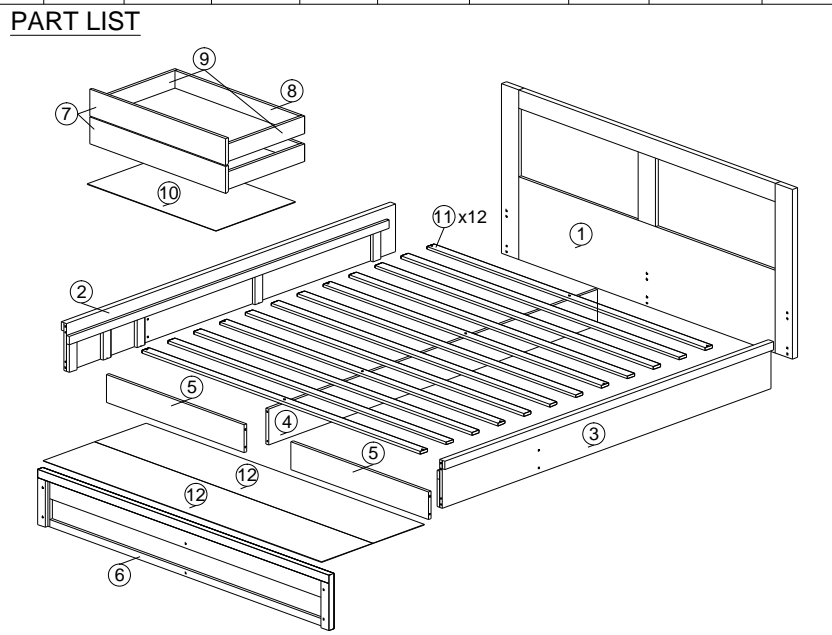
DO NOT USE KNIFE

ASSEMBLY INSTRUCTION

MODEL : EM 363

DESCRIPTION : DOUBLE BED

HARDWARE	A	B	C	D	E	F	G	H	I						
WOOD DOWEL 8 X 25	1X10	CB SCREW M3.5X16MM	1X24	CB SCREW M4X38MM	1X28	NAIL 5/8	1X20	50MM	70MM	QUICKFIT CAP	1X20	L KEY	1X1	DRAWER SLIDE 18"	2 SETS

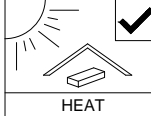




SOFT, DRY CLOTH



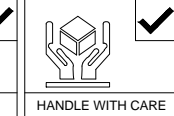
CHEMICAL



HEAT



KEEP DRY



HANDLE WITH CARE



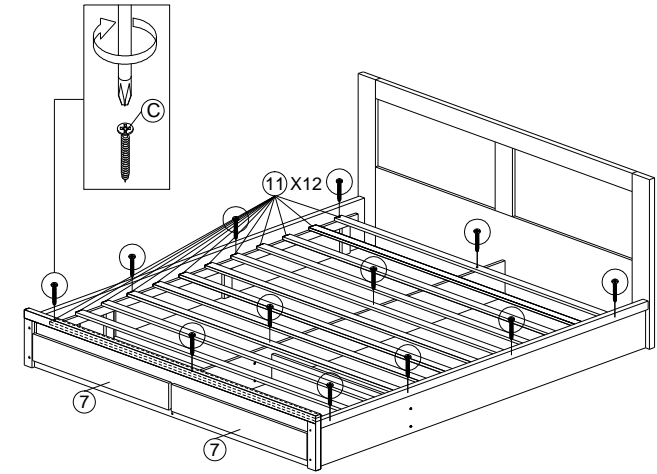
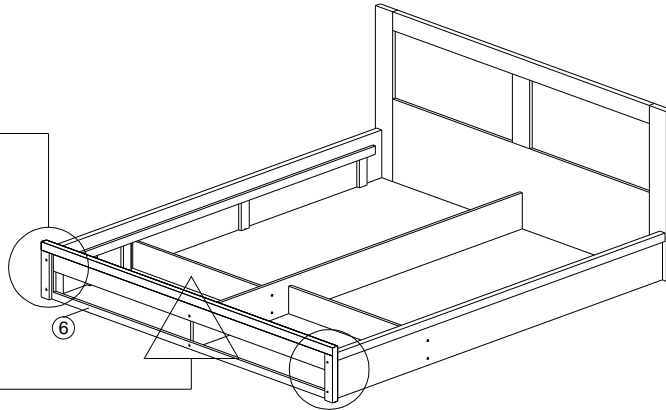
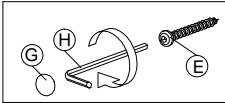
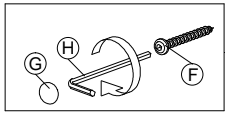
DO NOT USE KNIFE

ASSEMBLY INSTRUCTION

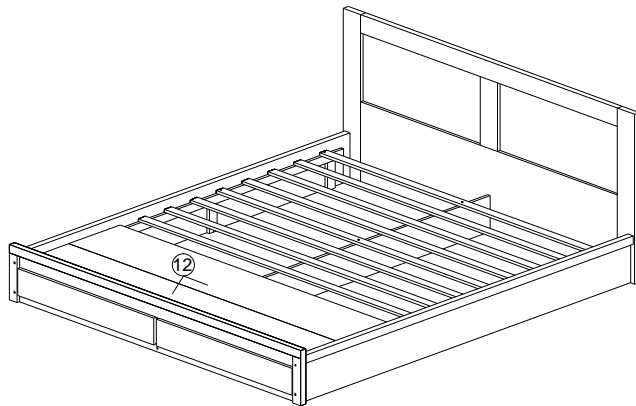
MODEL : EM 363

DESCRIPTION : DOUBLE BED

STEP 7



STEP 10



COMPLETED

