
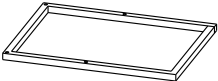

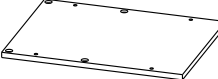





Ax1	
Bx1	
Cx4	
Dx1	
Ex4	
Fx12	 M6x20
Gx2	
Hx1	