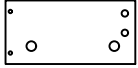
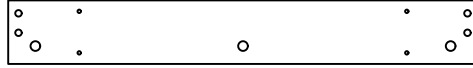


ASSEMBLE INSTRUCTION

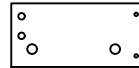
DO NOT TIGHTEN SCREWS UNTIL COMPLETELY ASSEMBLED



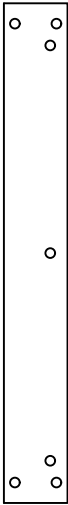
Ax2



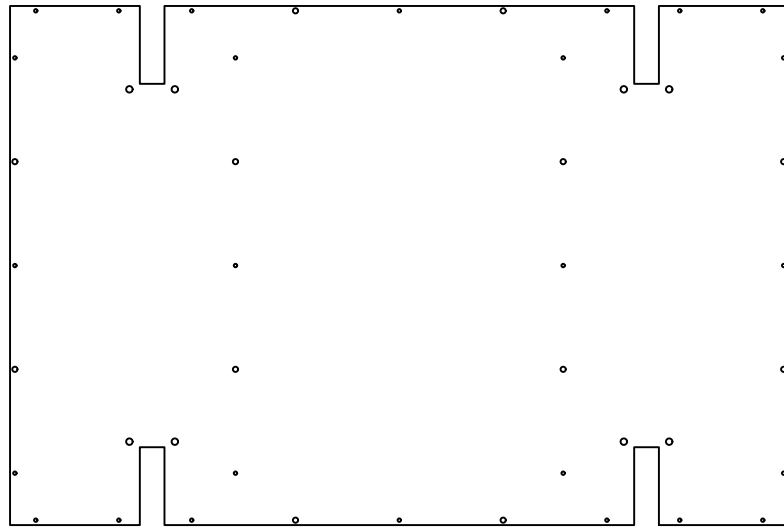
Bx2



Cx2



Dx4



Ex1



ax42



bx42



cx12



M6 x 12mm

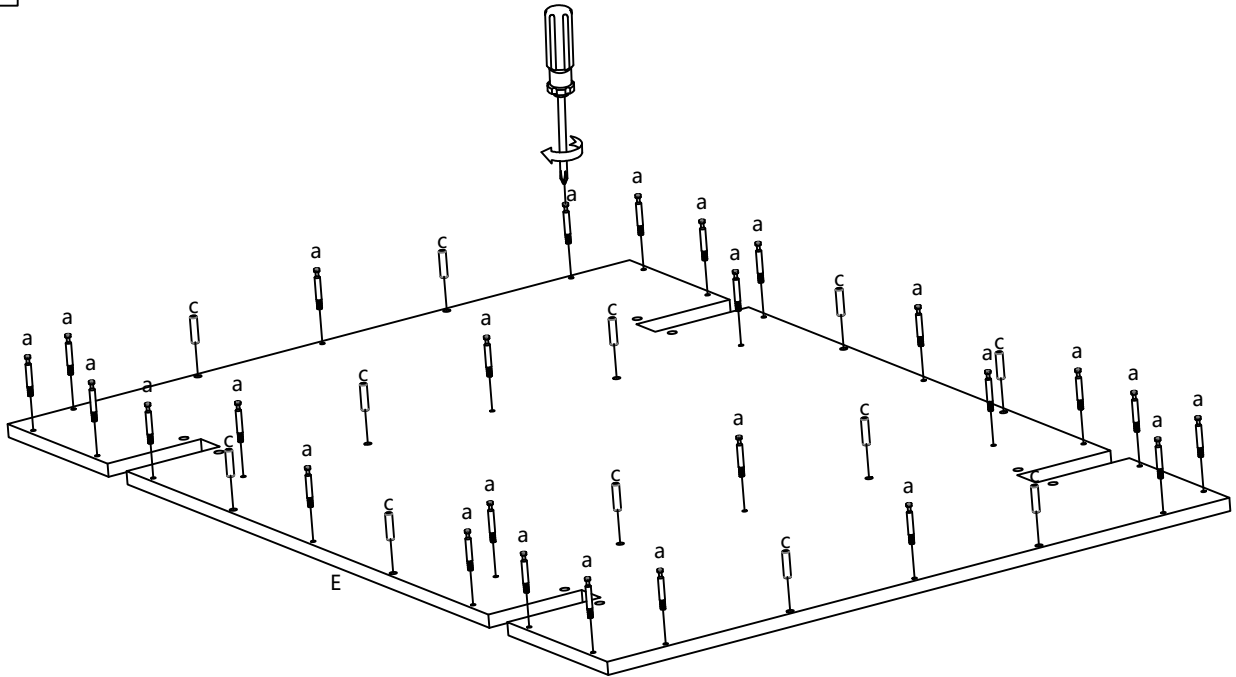
dx24



ex4

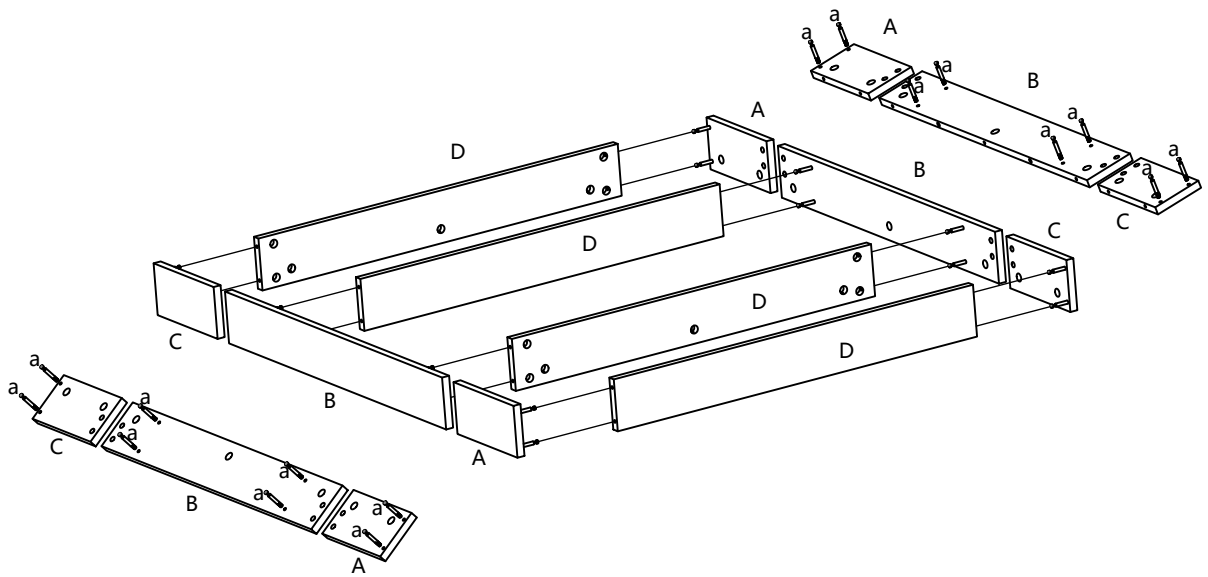
1

Ex 1
a x 26
c x 12



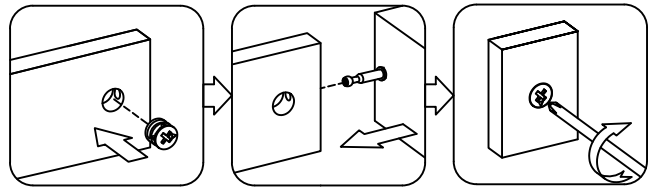
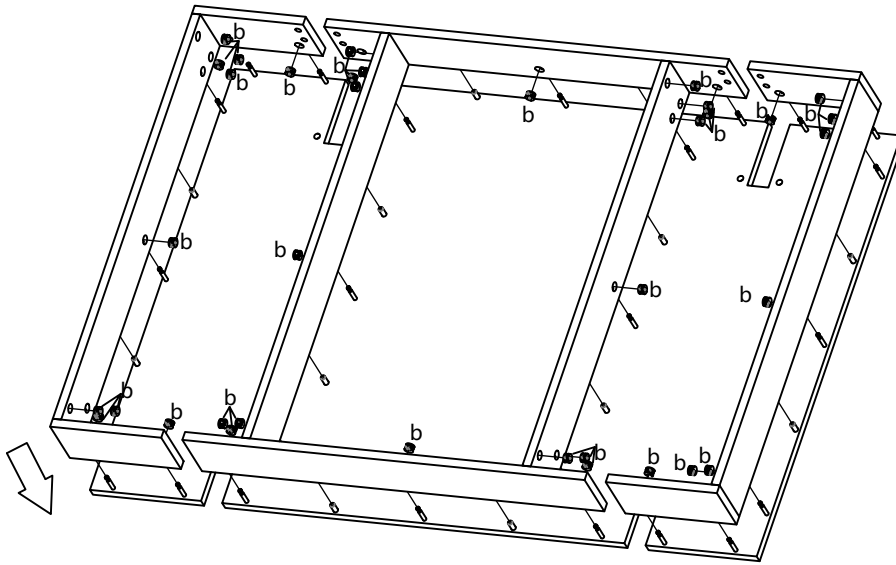
2

A x 2
B x 2
C x 2
D x 4
a x 16



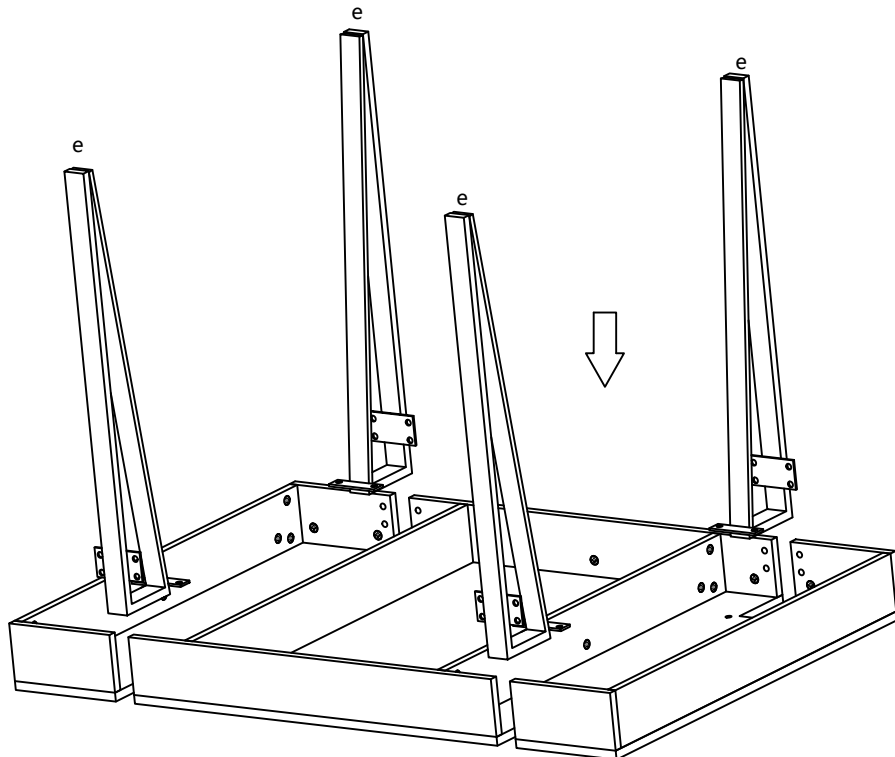
3

b x 42



4

e x 4



5

d x 24

